



KINCAID MARINE ROLCO

Phone: (03) 9308 0922 Mobile: 0428 627 463
Email: orders@kmrolco.com Website: www.kmrolco.com

Intentionally blank. Please keep scrolling to page 8



KINCAID MARINE ROLCO

Phone: (03) 9308 0922 Mobile: 0428 627 463
Email: orders@kmrolco.com Website: www.kmrolco.com

Intentionally blank. Please keep scrolling to page 8



KINCAID MARINE ROLCO

Phone: (03) 9308 0922 Mobile: 0428 627 463
Email: orders@kmrolco.com Website: www.kmrolco.com

Intentionally blank. Please keep scrolling to page 8



KINCAID MARINE ROLCO

Phone: (03) 9308 0922 Mobile: 0428 627 463
Email: orders@kmrolco.com Website: www.kmrolco.com

Intentionally blank. Please keep scrolling to page 8



KINCAID MARINE ROLCO

Phone: (03) 9308 0922 Mobile: 0428 627 463
Email: orders@kmrolco.com Website: www.kmrolco.com

Intentionally blank. Please keep scrolling to page 8



KINCAID MARINE ROLCO

Phone: (03) 9308 0922 Mobile: 0428 627 463
Email: orders@kmrolco.com Website: www.kmrolco.com

Intentionally blank. Please keep scrolling to page 8



KINCAID MARINE ROLCO

Phone: (03) 9308 0922 Mobile: 0428 627 463
Email: orders@kmrolco.com Website: www.kmrolco.com

Intentionally blank. Please keep scrolling to page 8



KINCAID MARINE ROLCO

Phone: (03) 9308 0922 Mobile: 0428 627 463
 Email: orders@kmrolco.com Website: www.kmrolco.com

MOST COMMONLY USED **350 CHEVROLET SOFT CLUTCH CONVERSION**

| PART NUMBER | DESCRIPTION | QTY | LIST PRICE | PRICE INC GST | DISC |
|-------------|---|------|------------|---------------|------|
| 350-1AB | ACCELERATOR MOUNT BRACKET | | 35.00 | 38.50 | |
| 350-7EL | ENGINE MOUNTS, EXTRA LONG suit SOFT CLUTCH | PAIR | 150.00 | 165.00 | |
| 350-12-4Q-H | WEDGE, CARBURETTOR, 4 BARREL, suit SOFT CLUTCH, MANIFOLD=QUAD, CARBY=HOLLEY | | 150.00 | 165.00 | |
| 350-18 | THERMO CONTROL, FLYWHEEL DRIVE / SOFT CLUTCH | | 195.00 | 214.50 | |
| 350-21SC | SOFT CLUTCH ASSEMBLY inc CLUTCH KIT | | 1,750.00 | 1,925.00 | |
| 350-23S-ED | MANIFOLDS, EXHAUST, END DRILLED suit SOFT CLUTCH | PAIR | 1250.00 | 1375.00 | |
| 350-30-CDP | TIMING CASE END KIT suit ¾" CRANK DRIVE PUMP | | 495.00 | 544.50 | |
| 350-37 | FLAME ARRESTOR 5½" DIA | | 75.00 | 82.50 | S |
| F6 B9 | WATER PUMP, CRANK DRIVE, ¾" BALL BEARING | | 595.00 | 654.50 | S |
| MF 65-AL | EXHAUST "S" BENDS, 2½" ALUMINIUM | PAIR | 275.00 | 302.50 | |
| PK-2-JON | PLUMBING KIT suit 350 CHEV, FLYWHEEL DRIVE, THERMO CONTROL, WITH EXHAUST ELBOWS | | 295.00 | 324.50 | |
| | POLISHING: | | | | |
| | ➤ MANIFOLDS | PAIR | 100.00 | 110.00 | N |
| | ➤ EXHAUST BENDS | PAIR | 50.00 | 55.00 | N |
| | ➤ HOUSING | | 100.00 | 110.00 | N |
| | ➤ TIMING CASE END KIT | | 80.00 | 88.00 | N |
| | ➤ THERMO CONTROL | | 20.00 | 22.00 | N |
| | ➤ MOUNTS | PAIR | 40.00 | 44.00 | N |
| | ➤ WEDGE | | 20.00 | 22.00 | N |
| | ➤ COMPLETE KIT | | 400.00 | 440.00 | N |



KINCAID MARINE ROLCO

Phone: (03) 9308 0922 Mobile: 0428 627 463
 Email: orders@kmrolco.com Website: www.kmrolco.com

MOST COMMONLY USED **350 CHEVROLET DOG CLUTCH CONVERSION** **(NO THERMO CONTROL)**

| PART NUMBER | DESCRIPTION | QTY | LIST PRICE | PRICE INC GST | DISC |
|-------------|--|------|------------|---------------|------|
| 350-2 | WATER INLET PLATES | PAIR | 39.00 | 42.90 | |
| 350-7S | ENGINE MOUNTS, SHORT suit DOG CLUTCH | PAIR | 120.00 | 132.00 | |
| 350-11-4Q-H | WEDGE, CARBURETTOR, 4 BARREL, suit DOG CLUTCH, MANIFOLD=QUAD, CARBY=HOLLEY | | 150.00 | 165.00 | |
| 350-19 | THERMOSTAT BLANK OFF PLATE | | 25.00 | 27.50 | |
| 350-20 | FLYWHEEL END KIT | | 550.00 | 605.00 | |
| 350-21 | DOG CLUTCH ASSEMBLY | | 1500.00 | 1650.00 | |
| 350-23S-TD | MANIFOLDS, EXHAUST, TOP DRILLED suit DOG CLUTCH | PAIR | 1250.00 | 1375.00 | |
| 350-37 | FLAME ARRESTOR 5½" DIA | | 75.00 | 82.50 | S |
| FP 16/14 | THROTTLE CABLE MOUNT suit QUAD / HOLLY CARBY | | 30.00 | 33.00 | |
| WS 37 | WATER PUMP, ¾" FYNSPRAY | | 580.00 | 638.00 | S |
| MF 65-AL | EXHAUST "S" BENDS, 2½" ALUMINIUM | PAIR | 275.00 | 302.50 | |
| PK-5-FYN | PLUMBING KIT suit 350 CHEV, DOG CLUTCH, NO THERMO, WITH EXHAUST ELBOWS, suit FYNSPRAY PUMP | | 295.00 | 324.50 | |
| 350-21-SUMP | SUMP AND PICK UP suit 350 CHEV DOG CLUTCH | | 850.00 | 935.00 | S |
| | POLISHING: | | | | |
| | ➤ MANIFOLDS | PAIR | 100.00 | 110.00 | N |
| | ➤ EXHAUST BENDS | PAIR | 50.00 | 55.00 | N |
| | ➤ WEDGE | | 20.00 | 22.00 | N |
| | ➤ COMPLETE KIT | | 400.00 | 440.00 | N |



KINCAID MARINE ROLCO

Phone: (03) 9308 0922 Mobile: 0428 627 463
 Email: orders@kmrolco.com Website: www.kmrolco.com

MOST COMMONLY USED

350 CHEVROLET V-DRIVE / JET DRIVE CONVERSION

| PART NUMBER | DESCRIPTION | QTY | LIST PRICE | PRICE INC GST | DISC |
|-------------|---|------|------------|---------------|------|
| 350-1AB | ACCELERATOR MOUNT BRACKET | | 35.00 | 38.50 | |
| 350-7L | ENGINE MOUNTS, LEVEL suit V-DRIVE / JET DRIVE | PAIR | 130.00 | 143.00 | |
| 350-16 | HOUSING, FLYWHEEL COVER suit V-DRIVE / JET DRIVE | | 395.00 | 434.50 | |
| 350-18 | THERMO CONTROL, FLYWHEEL DRIVE | | 225.00 | 247.50 | |
| 350-23S-ED | MANIFOLDS, EXHAUST, END DRILLED | PAIR | 1250.00 | 1375.00 | |
| 350-30-CDP | TIMING CASE END KIT suit 3/4" CRANK DRIVE PUMP | | 495.00 | 544.50 | |
| 350-35 | DRIVE ADAPTOR - FLYWHEEL, 1300 SERIES | | 250.00 | 275.00 | |
| 350-37 | FLAME ARRESTOR, 5 1/8" DIA | | 75.00 | 82.50 | S |
| F6 B9 | WATER PUMP, CRANK DRIVE, 3/4" BALL BEARING | | 595.00 | 654.50 | S |
| MF 45B | EXHAUST BEND, 45° WATER COOLED suit 2 1/2" HOSE AL | PAIR | 275.00 | 302.50 | |
| PK-2-JON | PLUMBING KIT suit 350 CHEV, FLYWHEEL DRIVE, THERMO CONTROL, WITH EXHAUST ELBOWS | | 295.00 | 324.50 | |
| | POLISHING: | | | | |
| | ➤ MANIFOLDS | PAIR | 100.00 | 110.00 | N |
| | ➤ EXHAUST BENDS | PAIR | 50.00 | 55.00 | N |
| | ➤ HOUSING | | 100.00 | 110.00 | N |
| | ➤ TIMING CASE END KIT | | 80.00 | 88.00 | N |
| | ➤ THERMO CONTROL | | 20.00 | 22.00 | N |
| | ➤ MOUNTS | PAIR | 40.00 | 44.00 | N |
| | ➤ COMPLETE KIT | | 400.00 | 440.00 | N |



KINCAID MARINE ROLCO

Phone: (03) 9308 0922 Mobile: 0428 627 463
 Email: orders@kmrolco.com Website: www.kmrolco.com

MOST COMMONLY USED **350 CHEVROLET FORWARD/NEUTRAL/REVERSE** **CONVERSION**

| PART NUMBER | DESCRIPTION | QTY | LIST PRICE | PRICE INC GST | DISC |
|---------------|---|------|------------|---------------|------|
| 350-1AB | ACCELERATOR MOUNT BRACKET | | 35.00 | 38.50 | |
| 350-7EL | ENGINE MOUNTS, EXTRA LONG | PAIR | 150.00 | 165.00 | |
| 350-12-4Q-H | WEDGE, CARBURETTOR, 4 BARREL, suit SOFT CLUTCH, MANIFOLD=QUAD, CARBY=HOLLEY | | 150.00 | 165.00 | |
| 350-13 | BELL HOUSING, GEARBOX - BORG WARNER / Z.F. | | 595.00 | 654.50 | |
| 350-18 | THERMO CONTROL, FLYWHEEL DRIVE | | 195.00 | 214.50 | |
| 350-23S-ED | MANIFOLDS, EXHAUST, END DRILLED | PAIR | 1250.00 | 1375.00 | |
| 350-30-CDP | TIMING CASE END KIT suit ¾" CRANK DRIVE PUMP | | 495.00 | 544.50 | |
| 350-37 | FLAME ARRESTOR, 5/8" DIA | | 75.00 | 82.50 | S |
| F6 B9 | WATER PUMP, CRANK DRIVE, ¾" BALL BEARING | | 395.00 | 434.50 | S |
| MF 65-AL | EXHAUST "S" BENDS, 2½" ALUMINIUM | PAIR | 275.00 | 302.50 | |
| PK-2-JON | PLUMBING KIT suit 350 CHEV, FLYWHEEL DRIVE, THERMO CONTROL, WITH EXHAUST ELBOWS | | 250.00 | 275.00 | |
| BW 1 or ZF45C | TRANSMISSION, FORWARD / NEUTRAL / REVERSE BORG WARNER OR Z.F. HURTH | | POA | POA | S |
| BW 2 | DRIVE PLATE (FLEX PLATE), suit F / N / R TRANSMISSION | | 225.00 | 247.50 | S |
| BW 3 | OIL COOLER, suit F / N / R TRANSMISSION | | 350.00 | 385.00 | S |
| BW 4 | HOSE KIT, OIL COOLER suit BORG WARNER | | 120.00 | 132.00 | S |
| OR | | | | | |
| ZF4 | HOSE KIT, OIL COOLER suit ZF | | 120.00 | 132.00 | S |
| BW 5 | BRACKET, COOLER / SELECTOR CABLE suit B/W F / N / R TRANSMISSION | | 85.00 | 93.50 | |
| OR | | | | | |
| ZF 5 | BRACKET, COOLER Suit Z.F. F / N / R TRANSMISSION | | 65.00 | 71.50 | |
| BW 6 | STUD KIT, GEARBOX TO HOUSING suit BORG WARNER | | 45.00 | 49.50 | |
| OR | | | | | |
| ZF 6 | STUD KIT, GEARBOX TO HOUSING suit Z.F. | | 45.00 | 49.50 | |
| BW 7 | CONTROL LEVER | | 295.00 | 324.00 | S |
| BW 8 | CLAMP, RUBBER LINED SUIT OIL COOLER | | 10.00 | 11.00 | S |
| SC 10BWS-1 | COUPLING, PROPELLER SHAFT, 1", suit BORG WARNER / ZF TRANSMISSION, SPLIT TYPE | | 175.00 | 192.50 | |
| OR | | | | | |
| SC 10BWS-1½ | COUPLING, PROPELLER SHAFT, 1½", suit BORG WARNER / ZF TRANSMISSION, SPLIT TYPE | | 175.00 | 192.50 | |
| | POLISHING: | | | | |
| | ➤ MANIFOLDS | P | 100.00 | 110.00 | N |
| | ➤ EXHAUST BENDS | P | 50.00 | 55.00 | N |
| | ➤ HOUSING | | 100.00 | 110.00 | N |
| | ➤ TIMING CASE END KIT | | 80.00 | 88.00 | N |
| | ➤ THERMO CONTROL | | 20.00 | 22.00 | N |
| | ➤ MOUNTS | P | 40.00 | 44.00 | N |
| | ➤ WEDGE | | 20.00 | 22.00 | N |
| | ➤ COMPLETE KIT | | 400.00 | 440.00 | N |



KINCAID MARINE ROLCO

Phone: (03) 9308 0922 Mobile: 0428 627 463
 Email: orders@kmrolco.com Website: www.kmrolco.com

COMPLETE LISTING

350 CHEVROLET SMALL BLOCK V8 CONVERSION

| PART NUMBER | DESCRIPTION | QTY | LIST PRICE | PRICE INC GST | DISC |
|------------------------------------|--|------|------------|---------------|------|
| 350-1AB | ACCELERATOR MOUNT BRACKET | | 35.00 | 38.50 | |
| 350-2 | WATER INLET PLATES | PAIR | 39.00 | 42.90 | |
| 350-2-LT1 | WATER INLET PLATES suit LT1 | PAIR | 100.00 | 110.00 | |
| 350-7S | ENGINE MOUNTS - SHORT suit DOG CLUTCH | PAIR | 120.00 | 132.00 | |
| 350-7L | ENGINE MOUNTS - LEVEL suit V-DRIVE / JET DRIVE | PAIR | 130.00 | 143.00 | |
| 350-7EL | ENGINE MOUNTS - EXTRA LONG suit SOFT CLUTCH | PAIR | 150.00 | 165.00 | |
| 350-11-2-HH USE 351-11-2 | WEDGE, CARBURETTOR, 2 BARREL suit HOLLEY 350 | | 150.00 | 165.00 | |
| 350-11-4Q-H | WEDGE, CARBURETTOR, 4 BARREL, suit DOG CLUTCH, MANIFOLD=QUAD, CARBY=HOLLEY | | 150.00 | 165.00 | |
| 350-11-4Q-Q | WEDGE, CARBURETTOR, 4 BARREL, suit DOG CLUTCH, MANIFOLD=QUAD, CARBY=QUAD | | 150.00 | 165.00 | |
| 350-11-4H-H | WEDGE, CARBURETTOR, 4 BARREL, suit MANIFOLD=HOLLEY, CARBY=HOLLEY | | 150.00 | 165.00 | |
| 350-11-4H-Q | WEDGE, CARBURETTOR, 4 BARREL, UPSIDE DOWN suit DOG CLUTCH, MANIFOLD=HOLLEY, CARBY=QUAD, | | 150.00 | 165.00 | |
| 350-12-4Q-H | WEDGE, CARBURETTOR, 4 BARREL, suit SOFT CLUTCH, MANIFOLD=QUAD, CARBY=HOLLEY | | 150.00 | 165.00 | |
| 350-12-4Q-Q | WEDGE, CARBURETTOR, 4 BARREL, suit SOFT CLUTCH, MANIFOLD=QUAD, CARBY=QUAD | | 150.00 | 165.00 | |
| 350-12-4H-Q | WEDGE, CARBURETTOR, 4 BARREL, UPSIDE DOWN suit SOFT CLUTCH, MANIFOLD=HOLLEY, CARBY=QUAD | | 150.00 | 165.00 | |
| 350-13 | BELL HOUSING, GEARBOX - BORG WARNER / Z.F. | | 595.00 | 654.50 | |
| 350-16 | HOUSING, FLYWHEEL COVER suit V-DRIVE / JET DRIVE | | 395.00 | 434.50 | |
| 350-17 | THERMOSTAT OUTLET HOUSING | | 45.00 | 49.50 | |
| 350-18 | THERMO CONTROL - FLYWHEEL DRIVE / SOFT CLUTCH | | 195.00 | 214.50 | |
| 350-18T | THERMO CONTROL - TIMING CASE DRIVE / DOG CLUTCH | | 225.00 | 247.50 | |
| 350-18-OS | THERMOSTAT OFFSET MOUNT suit 350-18 (LOCATES THERMO CONTROL FORWARD) | | 90.00 | 99.00 | |
| 350-19 | THERMOSTAT BLANK OFF PLATE | | 25.00 | 27.50 | |
| 350-20 | FLYWHEEL END KIT | | 550.00 | 605.00 | |
| 350-21 | DOG CLUTCH ASSEMBLY | | 1500.00 | 1650.00 | |
| 350-21SC | SOFT CLUTCH ASSEMBLY inc CLUTCH KIT | | 1,750.00 | 1,925.00 | |
| 350-21SCF | SOFT CLUTCH ASSEMBLY inc CLUTCH KIT (FULLY ENCLOSED HOUSING) Ideal for salt water use | | 1,950.00 | 2,145.00 | |
| 350-21-SUMP | SUMP AND PICK UP suit 350 CHEV DOG CLUTCH | | 850.00 | 935.00 | S |
| 350-21-TC | TIMING COVER, SUIT CAM DRIVE PUMP | | 450.00 | 495.00 | S |
| 350-23S | MANIFOLDS, EXHAUST, WATER COOLED | PAIR | 1,250.00 | 1,375.00 | |
| 350-30-CDP | TIMING CASE END KIT suit CRANK DRIVEN PUMP | | 495.00 | 544.50 | |
| 350-30-JON | TIMING CASE END KIT suit 3/4" HIGH MOUNT PUMP | | 495.00 | 544.50 | |
| 350-30-JAB | TIMING CASE END KIT suit 6490-2901 JABSCO PUMP | | 495.00 | 544.50 | |
| 350-30-GB | TIMING CASE END KIT suit 3/4" LOW MOUNT PUMP | | 495.00 | 544.50 | |
| 350-30-LT1 | TIMING CASE END KIT suit LT1 | | 495.00 | 544.50 | |
| 350-30-J | ALTERNATOR MOUNTING KIT suit JET DRIVE | | 250.00 | 275.00 | |
| 350-35 | DRIVE ADAPTOR - FLYWHEEL 1310 SERIES | | 250.00 | 275.00 | |
| 350-35A | DRIVE ADAPTOR - FLYWHEEL 1410 SERIES | | 250.00 | 275.00 | |
| 350-35-LM | DRIVE ADAPTOR - FLYWHEEL 1310 SERIES, LATE MODEL | | 250.00 | 275.00 | |
| 350-35A-LM | DRIVE ADAPTOR - FLYWHEEL 1410 SERIES, LATE MODEL | | 250.00 | 275.00 | |
| 350-37 | FLAME ARRESTOR, 5 1/8" DIA | | 75.00 | 821.90 | S |
| 307-37 | FLAME ARRESTOR, 2 5/8" DIA | | 95.00 | 104.50 | S |
| 350-EGR | E.G.R. BLANK OFF PLATE (SPECIFY SHAPE) | EACH | 15.00 | 16.50 | |



KINCAID MARINE ROLCO

Phone: (03) 9308 0922 Mobile: 0428 627 463
 Email: orders@kmrolco.com Website: www.kmrolco.com

350 CHEVROLET SMALL BLOCK V8 SPARE PARTS

| PART NUMBER | DESCRIPTION | QTY | LIST PRICE | PRICE INC GST | DISC |
|--------------|---|------|------------|---------------|------|
| 350-2AB/30 | WATER INLET PLATE with ALTERNATOR MOUNT (EARLY KIT) | | 75.00 | 82.50 | |
| 350-2-B | GASKETS, WATER INLET PLATES | PAIR | 12.00 | 13.20 | |
| 350-11-B | GASKET, CARBURETTOR, 4 BARREL, QUADRAJET / SPREAD BORE | | 12.00 | 13.20 | |
| 350-11-H | GASKET, CARBURETTOR, 4 BARREL, HOLLEY / SQUARE BORE | | 12.00 | 13.20 | |
| 350-17-B | GASKET - THERMOSTAT | | 7.00 | 7.70 | |
| 350-18T-B | THERMO CONTROL, T/C DRIVE, BASE ONLY | | 60.00 | 66.00 | |
| 350-20-A | MOUNTS, FLYWHEEL END, suit TIMING CASE DRIVE/DOG CLUTCH | | 295.00 | 324.50 | |
| 350-20-B | WATER PUMP MOUNT, suit TIMING CASE DRIVE/DOG CLUTCH | | 95.00 | 104.50 | |
| 350-20-C | ALTERNATOR TENSION ARM, suit TIMING CASE DRIVE/DOG CLUTCH | | 45.00 | 49.50 | |
| 350-20-D | PULLEY, FLYWHEEL, suit TIMING CASE DRIVE / DOG CLUTCH | | 145.00 | 159.50 | |
| 350-20-G | VEE BELT A-34 suit WATER PUMP | | 25.00 | 27.50 | |
| 350-20-H | VEE BELT A-35 suit ALTERNATOR | | 25.00 | 27.50 | |
| 350-21-1A | SEAL RETAINER, HALF MOON suit DOG CLUTCH | | 35.00 | 38.50 | |
| 350-21-A | DOG CLUTCH HOUSING ONLY | | 995.00 | 1,094.50 | |
| 350-21-B | GASKET, TIMING CASE-DOG CLUTCH TO BLOCK | | 12.00 | 13.20 | |
| 350-21F | FLYWHEEL suit 10" CLUTCH, EARLY MODEL | | 495.00 | 544.50 | S |
| 350-21F-LM | FLYWHEEL suit 10" CLUTCH, suit LATE MODEL ONE PIECE REAR MAIN | | 595.00 | 654.50 | S |
| 350-21SC-A | SOFT CLUTCH HOUSING ONLY | | 995.00 | 1094.50 | |
| 350-23-B | GASKETS, EXHAUST MANIFOLD | PAIR | 35.00 | 38.50 | |
| 350-23S-SK | STUD, NUT & WASHER KIT | | 95.00 | 104.50 | |
| 350-24 | NOSE DOG ASSEMBLY SHRINK FIT 1" BUSH | | 495.00 | 544.50 | |
| 350-24P/T | NOSE DOG ASSEMBLY PIN TYPE 3/4" BUSH | | 495.00 | 544.50 | |
| 350-24US | NOSE DOG ASSEMBLY UNDERSIZE | | 495.00 | 544.50 | |
| 350-24-B | NOSE DOG HUB PIECE ONLY (SPECIFY TYPE) | | 250.00 | 275.00 | |
| 350-30-A | ALTERNATOR MOUNT | | 45.00 | 49.50 | |
| 350-30-B-JON | WATER PUMP MOUNT suit 3/4" HIGH MOUNT PUMP | | 95.00 | 104.50 | |
| 350-30-B-JAB | WATER PUMP MOUNT suit 6490-2901 JABSCO PUMP | | 95.00 | 104.50 | |
| 350-30-B-GB | WATER PUMP MOUNT suit 3/4" LOW MOUNT PUMP | | 95.00 | 104.50 | |
| 350-30-C | ALTERNATOR TENSION ARM | | 45.00 | 49.50 | |
| 350-30-D | PULLEY, HARMONIC BALANCER | | 150.00 | 165.00 | |
| 350-30-E | WATER PUMP BASE PLATE | | 75.00 | 82.50 | |
| 350-30-G-JON | VEE BELT A-21 suit HIGH MOUNT WATER PUMP | | 25.00 | 27.50 | |
| 350-30-G-JAB | VEE BELT A-22 suit JABSCO 6490 WATER PUMP | | 25.00 | 27.50 | |
| 350-30-G-GB | VEE BELT A-24 WATER PUMP suit LOW MOUNT PUMP | | 25.00 | 27.50 | |
| 350-30-H | VEE BELT A-28 suit ALTERNATOR | | 25.00 | 27.50 | |
| 350-30-D-J | PULLEY, HARMONIC BALANCER (JET) SINGLE BELT | | 125.00 | 137.50 | |



KINCAID MARINE ROLCO

Phone: (03) 9308 0922 Mobile: 0428 627 463
 Email: orders@kmrolco.com Website: www.kmrolco.com

454 CHEVROLET BIG BLOCK V8 CONVERSION

| PART NUMBER | DESCRIPTION | QTY | LIST PRICE | PRICE INC GST | DISC |
|---------------------------------------|--|------|------------|---------------|------|
| 454-2 | WATER INLET PLATES | PAIR | 45.00 | 49.50 | |
| 454-7L USE 350-7L | ENGINE MOUNTS - LEVEL suit V-DRIVE / JET DRIVE | PAIR | 130.00 | 143.00 | |
| 454-7EL USE 350-7EL | ENGINE MOUNTS - EXTRA LONG suit SOFT CLUTCH | PAIR | 150.00 | 165.00 | |
| 454-11-4H-H USE 350-11-4H-H | WEDGE, CARBURETTOR, 4 BARREL, suit MANIFOLD=HOLLEY, CARBY=HOLLEY | | 150.00 | 165.00 | |
| 454-12-4Q-H USE 350-12-4Q-H | WEDGE, CARBURETTOR, 4 BARREL, suit SOFT CLUTCH, MANIFOLD=QUAD, CARBY=HOLLEY | | 150.00 | 165.00 | |
| 454-12-4Q-Q USE 350-12-4Q-Q | WEDGE, CARBURETTOR, 4 BARREL, suit SOFT CLUTCH, MANIFOLD=QUAD, CARBY=QUAD | | 150.00 | 165.00 | |
| 454-12-4H-Q USE 350-12-4H-Q | WEDGE, CARBURETTOR, 4 BARREL, UPSIDE DOWN suit SOFT CLUTCH, MANIFOLD=HOLLEY, CARBY=QUAD | | 150.00 | 165.00 | |
| 454-13 USE 350-13 | BELL HOUSING, GEARBOX - BORG WARNER | | 595.00 | 654.50 | |
| 454-16 USE 350-16 | HOUSING, FLYWHEEL COVER suit V-DRIVE / JET DRIVE | | 395.00 | 434.50 | |
| 454-17 USE 350-17 | THERMOSTAT OUTLET HOUSING | | 45.00 | 49.50 | |
| 454-18 USE 350-18 | THERMO CONTROL - FLYWHEEL DRIVE / SOFT CLUTCH | | 195.00 | 214.50 | |
| 454-21SC USE 350-21SC | SOFT CLUTCH ASSEMBLY inc CLUTCH KIT | | 1,750.00 | 1,925.00 | |
| 454-23S | MANIFOLDS, EXHAUST, 3" OUTLET | PAIR | 1,500.00 | 1,650.00 | |
| 454-30-JON | TIMING CASE END KIT suit 3/4" JOHNSON PUMP | | 495.00 | 544.50 | |
| 454-30-GB | TIMING CASE END KIT suit 3/4" PLAIN BEARING PUMPS | | 495.00 | 544.50 | |
| 454-30-J | ALTERNATOR MOUNTING KIT suit JET DRIVE | | 250.00 | 275.00 | |
| 454-35 USE 350-35 | DRIVE ADAPTOR - FLYWHEEL 1310 SERIES | | 250.00 | 275.00 | |
| 454-35A USE 350-35A | DRIVE ADAPTOR - FLYWHEEL 1410 SERIES | | 250.00 | 275.00 | |
| 454-37 USE 350-37 | FLAME ARRESTOR 5 1/8" DIA | | 75.00 | 82.50 | S |
| MF 10R | RISER - EXHAUST, 10" WATER COOLED suit 454 AL | PAIR | 1,250.00 | 1,375.00 | |



KINCAID MARINE ROLCO

Phone: (03) 9308 0922 Mobile: 0428 627 463
Email: orders@kmrolco.com Website: www.kmrolco.com

454 CHEVROLET BIG BLOCK V8 SPARE PARTS

| PART NUMBER | DESCRIPTION | QTY | LIST PRICE | PRICE INC GST |
|-------------|---|------|------------|---------------|
| 454-2-B | GASKETS, WATER INLET PLATES | PAIR | 12.00 | 13.20 |
| 454-23-B | GASKETS, EXHAUST MANIFOLDS | PAIR | 35.00 | 38.50 |
| 454-23S-SK | STUD, NUT & WASHER KIT | | 95.00 | 104.50 |
| 454-30-A | ALTERNATOR MOUNT | | 55.00 | 60.50 |
| 454-30-B-GB | WATER PUMP MOUNT suit 3/4" LOW MOUNT PUMP | | 95.00 | 104.50 |
| 454-30-C | ALTERNATOR TENSION ARM | | 55.00 | 60.50 |
| 454-30-D | PULLEY, HARMONIC BALANCER | | 150.00 | 165.00 |
| 454-30-G-GB | VEE BELT A-25 suit WATER PUMP | | 25.00 | 27.50 |
| 454-30-H-GB | VEE BELT A-30 suit ALTERNATOR | | 25.00 | 27.50 |
| 454-30J-D | PULLEY, HARMONIC BALANCER suit JET DRIVE / SINGLE BELT | | 125.00 | 137.50 |



KINCAID MARINE ROLCO

Phone: (03) 9308 0922 Mobile: 0428 627 463
 Email: orders@kmrolco.com Website: www.kmrolco.com

MOST COMMONLY USED **GEN III / LS SERIES CHEVROLET** **SOFT CLUTCH CONVERSION**

| PART NUMBER | DESCRIPTION | QTY | LIST PRICE | PRICE INC GST | DISC |
|---------------------------------|---|------|------------|---------------|------|
| LS1-7EL | ENGINE MOUNTS, EXTRA LONG suit SOFT CLUTCH | PAIR | 250.00 | 275.00 | |
| LS1-18 | THERMO CONTROL, CROSSOVER ASSEMBLY | | 750.00 | 825.00 | |
| LS1-21SC USE 350-21SC | SOFT CLUTCH ASSEMBLY inc CLUTCH KIT, (CHANGE BOLT KIT) | | 1,750.00 | 1,925.00 | |
| LS1-21F | FLYWHEEL, STEEL, BILLET suit GEN III | | 650.00 | 715.00 | S |
| LS1-23S | MANIFOLDS, EXHAUST | PAIR | 1,250.00 | 1,375.00 | |
| LS1-30 | TIMING CASE END KIT suit CRANK DRIVEN WATER PUMP | | 495.00 | 544.50 | |
| LS1-37 | FLAME ARRESTOR | | 150.00 | 165.00 | S |
| LS1-OP | OIL PAN / SUMP AND PICK UP suit CENTRE MOUNT | | 1500.00 | 1,650.00 | S |
| LS1-PK | PLUMBING KIT | | 250.00 | 275.00 | S |
| LS1-4 | COMPUTER MOUNT ASSY | | 495.00 | 544.50 | S |
| LS1-ECU | COMPUTER, MARINE CALIBRATION suit GEN III | | 2,500.00 | 2,750.00 | S |
| LS1-LOOM | WIRING LOOM, COMPLETE TO DASH suit GEN III | | 3,500.00 | 3,850.00 | S |
| F6 B9 | WATER PUMP, CRANK DRIVE suit GEN III | | 595.00 | 654.50 | S |
| MF 45B | EXHAUST BEND, 45° WATER COOLED suit 2½" HOSE AL | PAIR | 275.00 | 302.50 | |
| | POLISHING: | | | | |
| | ➤ MANIFOLDS | PAIR | 100.00 | 110.00 | N |
| | ➤ EXHAUST BENDS | PAIR | 50.00 | 55.00 | N |
| | ➤ HOUSING | | 100.00 | 110.00 | N |
| | ➤ THERMO CONTROL ASSEMBLY | | 50.00 | 55.00 | N |
| | ➤ MOUNTS | PAIR | 40.00 | 44.00 | N |
| | ➤ COMPLETE KIT | | 400.00 | 440.00 | N |



KINCAID MARINE ROLCO

Phone: (03) 9308 0922 Mobile: 0428 627 463
 Email: orders@kmrolco.com Website: www.kmrolco.com

MOST COMMONLY USED **GEN III / LS SERIES CHEVROLET** **FORWARD/NEUTRAL/REVERSE CONVERSION**

| PART NUMBER | DESCRIPTION | QTY | LIST PRICE | PRICE INC GST | DISC |
|-----------------------------|---|------------|-------------------|----------------------|-------------|
| LS1-7EL | ENGINE MOUNTS, EXTRA LONG suit SOFT CLUTCH | PAIR | 250.00 | 275.00 | |
| LS1-13 USE 350-13 | BELL HOUSING, GEARBOX suit BORG WARNER / Z.F. (CHANGE BOLT KIT) | | 595.00 | 654.50 | |
| LS1-18 | THERMO CONTROL, CROSSOVER ASSEMBLY | | 750.00 | 825.00 | |
| LS1-21F | FLYWHEEL, STEEL, BILLET suit GEN III | | 650.00 | 715.00 | S |
| LS1-23S | MANIFOLDS, EXHAUST | PAIR | 1,250.00 | 1,345.00 | |
| LS1-30 | TIMING CASE END KIT suit CRANK DRIVEN WATER PUMP | | 495.00 | 544.50 | |
| LS1-37 | FLAME ARRESTOR | | 150.00 | 165.00 | S |
| LS1-OP | OIL PAN / SUMP AND PICK UP suit CENTRE MOUNT | | 1,500.00 | 1,650.00 | S |
| LS1-PK | PLUMBING KIT | | 300.00 | 330.00 | S |
| LS1-4 | COMPUTER MOUNT ASSY | | 495.00 | 544.50 | S |
| LS1-ECU | COMPUTER, MARINE CALIBRATION suit GEN III | | 2,500.00 | 2,750.00 | S |
| LS1-LOOM | WIRING LOOM COMPLETE TO DASH suit GEN III | | 3,500.00 | 3,850.00 | S |
| LS1-WP | WATER PUMP, CRANK DRIVE suit GEN III | | 595.00 | 654.50 | S |
| MF 45B | EXHAUST BEND, 45° WATER COOLED suit 2½" HOSE AL | PAIR | 275.00 | 302.50 | |
| BW 1 or ZF45C | TRANSMISSION, FORWARD / NEUTRAL / REVERSE BORG WARNER OR Z.F. HURTH | | P.O.A. | P.O.A. | S |
| BW 2 | DRIVE PLATE (FLEX PLATE), suit F / N / R TRANSMISSION | | 395.00 | 434.50 | S |
| BW 3 | OIL COOLER, suit F / N / R TRANSMISSION | | 350.00 | 385.00 | S |
| BW 4 | HOSE KIT, OIL COOLER suit BORG WARNER | | 120.00 | 132.00 | S |
| OR | | | | | |
| ZF 4 | HOSE KIT, OIL COOLER suit ZF | | 120.00 | 132.00 | S |
| | | | | | |
| BW 5 | BRACKET, OIL COOLER/SELECTOR CABLE suit BORG WARNER F / N / R TRANSMISSION | | 85.00 | 93.50 | |
| OR | | | | | |
| ZF 5 | BRACKET, OIL COOLER suit ZF F / N / R TRANSMISSION | | 65.00 | 71.50 | |
| | | | | | |
| BW 6 | STUD KIT, GEARBOX TO HOUSING suit BORG WARNER | | 45.00 | 49.50 | |
| OR | | | | | |
| ZF 6 | STUD KIT, GEARBOX TO HOUSING suit Z.F. | | 45.00 | 49.50 | |
| BW 7 | CONTROL LEVER | | 295.00 | 324.50 | S |
| BW 8 | CLAMP, RUBBER LINED SUIT OIL COOLER | | 10.00 | 11.00 | S |
| SC 10BWS-1 | COUPLING, PROPELLER SHAFT, 1", suit BORG WARNER / ZF TRANSMISSION, SPLIT TYPE | | 175.00 | 192.50 | |
| OR | | | | | |
| SC 10BWS-1½ | COUPLING, PROPELLER SHAFT, 1½", suit BORG WARNER / ZF TRANSMISSION, SPLIT TYPE | | 175.00 | 192.50 | |
| | POLISHING: | | | | |
| | ➤ MANIFOLDS | PAIR | 100.00 | 110.00 | N |
| | ➤ EXHAUST BENDS | PAIR | 50.00 | 55.00 | N |
| | ➤ HOUSING | | 100.00 | 110.00 | N |
| | ➤ THERMO CONTROL ASSEMBLY | | 50.00 | 55.00 | N |
| | ➤ MOUNTS | PAIR | 40.00 | 44.00 | N |
| | ➤ COMPLETE KIT | | 400.00 | 440.00 | N |



KINCAID MARINE ROLCO

Phone: (03) 9308 0922 Mobile: 0428 627 463
 Email: orders@kmrolco.com Website: www.kmrolco.com

MOST COMMONLY USED **GEN III / LS SERIES CHEVROLET** **V-DRIVE / JET DRIVE CONVERSION**

| PART NUMBER | DESCRIPTION | QTY | LIST PRICE | PRICE INC GST | DISC |
|-----------------------------|---|------|------------|---------------|------|
| LS1-7L | ENGINE MOUNTS, LEVEL suit V-DRIVE / JET DRIVE | PAIR | 230.00 | 253.00 | |
| LS1-16 USE 350-16 | HOUSING, FLYWHEEL COVER suit V-DRIVE / JET DRIVE (CHANGE BOLT KIT) | | 395.00 | 434.50 | |
| LS1-18 | THERMO CONTROL, CROSSOVER ASSEMBLY | | 750.00 | 825.00 | |
| LS1-21F | FLYWHEEL, STEEL, BILLET suit GEN III | | 650.00 | 715.00 | S |
| LS1-23S | MANIFOLDS, EXHAUST | PAIR | 1,250.00 | 1,375.00 | |
| LS1-30 | TIMING CASE END KIT suit CRANK DRIVEN WATER PUMP | | 495.00 | 544.50 | |
| LS1-35 | DRIVE ADAPTOR - FLYWHEEL 1300 SERIES suit GEN III | | 295.00 | 324.50 | |
| OR | | | | | |
| LS1-35A | DRIVE ADAPTOR - FLYWHEEL 1400 SERIES suit GEN III | | 295.00 | 324.50 | |
| LS1-37 | FLAME ARRESTOR | | 150.00 | 165.00 | S |
| LS1-OP | OIL PAN / SUMP AND PICK UP suit CENTRE MOUNT | | 1,200.00 | 1,320.50 | S |
| LS1-PK | PLUMBING KIT | | 250.00 | 275.00 | S |
| LS1-4 | COMPUTER MOUNT ASSY | | 350.00 | 385.00 | |
| LS1-ECU | COMPUTER, MARINE CALIBRATION suit GEN III | | 2,500.00 | 2,750.00 | S |
| LS1-LOOM | WIRING LOOM, COMPLETE TO DASH suit GEN III | | 3,500.00 | 3,850.00 | S |
| F6 B9 | WATER PUMP, CRANK DRIVE suit GEN III | | 595.00 | 654.50 | S |
| MF 45B | EXHAUST BEND, 45° WATER COOLED suit 2½" HOSE AL | PAIR | 275.00 | 302.50 | |
| | POLISHING: | | | | |
| | ➤ MANIFOLDS | PAIR | 100.00 | 110.00 | N |
| | ➤ EXHAUST BENDS | PAIR | 50.00 | 55.00 | N |
| | ➤ HOUSING | | 100.00 | 110.00 | N |
| | ➤ THERMO CONTROL ASSEMBLY | | 50.00 | 55.00 | N |
| | ➤ MOUNTS | PAIR | 40.00 | 44.00 | N |
| | ➤ COMPLETE KIT | | 400.00 | 440.00 | N |



KINCAID MARINE ROLCO

Phone: (03) 9308 0922 Mobile: 0428 627 463
 Email: orders@kmrolco.com Website: www.kmrolco.com

COMPLETE LISTING

GEN III / LS SERIES CHEVROLET CONVERSION

| PART NUMBER | DESCRIPTION | QTY | LIST PRICE | PRICE INC GST | DISC |
|---------------------------------|---|------------|-------------------|----------------------|-------------|
| LS1-2 | WATER INLET PLATES | PAIR | 100.00 | 110.00 | |
| LS1-7A | ENGINE MOUNT ADAPTERS, LS1 to CHEV | PAIR | 90.00 | 99.00 | |
| LS1-7L | ENGINE MOUNTS, LEVEL suit V-DRIVE / JET DRIVE | PAIR | 230.00 | 253.00 | |
| LS1-7EL | ENGINE MOUNTS, EXTRA LONG suit SOFT CLUTCH | PAIR | 250.00 | 275.00 | |
| LS1-13 USE 350-13 | BELL HOUSING, GEARBOX suit BORG WARNER / Z.F. (CHANGE BOLT KIT) | | 595.00 | 654.50 | |
| LS1-16 USE 350-16 | HOUSING, FLYWHEEL COVER suit V-DRIVE / JET DRIVE (CHANGE BOLT KIT) | | 395.00 | 434.50 | |
| LS1-18 | THERMO CONTROL, CROSSOVER ASSEMBLY | | 750.00 | 825.00 | |
| LS1-21SC USE 350-21SC | SOFT CLUTCH ASSEMBLY inc CLUTCH KIT, (CHANGE BOLT KIT) | | 1,750.00 | 1,925.00 | |
| LS1-21F | FLYWHEEL, STEEL, BILLET suit GEN III | | 650.00 | 715.00 | S |
| LS1-23S | MANIFOLDS, EXHAUST | PAIR | 1,250.00 | 1,375.00 | |
| MF 45B | EXHAUST BEND, 45° WATER COOLED suit 2½" HOSE AL | PAIR | 275.00 | 302.50 | |
| LS1-30 | TIMING CASE END KIT suit CRANK DRIVEN WATER PUMP | | 495.00 | 544.50 | |
| LS1-35 | DRIVE ADAPTOR - FLYWHEEL 1310 SERIES, suit GEN III | | 295.00 | 324.50 | |
| LS1-35A | DRIVE ADAPTOR - FLYWHEEL 1410 SERIES, suit GEN III | | 295.00 | 324.50 | |
| LSA-35A | DRIVE ADAPTOR - FLYWHEEL 1410 SERIES, suit LSA 8 BOLT | | 350.00 | 385.00 | |
| LS1-37 | FLAME ARRESTOR | | 75.00 | 82.50 | S |
| LS1-OP | OIL PAN / SUMP AND PICK UP suit CENTRE MOUNT | | 1,500.00 | 1,650.00 | S |
| LS1-OF1K | REMOTE OIL FILTER KIT suit GEN III | | 495.00 | 544.50 | S |
| LS1-PK | PLUMBING KIT, STANDARD HOSE | | 250.00 | 275.00 | |
| LS1-4 | COMPUTER MOUNT ASSY | | 495.00 | 544.50 | S |
| LS1-ECU | COMPUTER, MARINE CALIBRATION suit GEN III | | 2,500.00 | 2,750.00 | S |
| LS1-ECU-REFLASH | COMPUTER REFLASH ONLY MARINE CALIBRATION | | 1,500.00 | 1,650.00 | S |
| LS1-LOOM | WIRING LOOM, COMPLETE TO DASH suit GEN III | | 3,500.00 | 3,850.00 | S |
| F6 B9 | WATER PUMP, CRANK DRIVE suit GEN III | | 595.00 | 654.50 | S |
| LS1-M33C 6 | THROTTLE CABLE, GEN III CHEV, suit HAND THROTTLE, 6 METRES | | 295.00 | 324.50 | S |
| LS1-M33C 8.5 | THROTTLE CABLE, GEN III CHEV, suit FOOT THROTTLE, 8.5 METRES | | 295.00 | 324.50 | S |



KINCAID MARINE ROLCO

Phone: (03) 9308 0922 Mobile: 0428 627 463
 Email: orders@kmrolco.com Website: www.kmrolco.com

351-302 FORD CLEVELAND V8 CONVERSION

| PART NUMBER | DESCRIPTION | QTY | LIST PRICE | PRICE INC GST | DISC |
|--------------------------------------|---|------|------------|---------------|------|
| 351-2 | WATER INLET PLATE | | 95.00 | 104.50 | |
| 351-7S | ENGINE MOUNTS - SHORT suit DOG CLUTCH | PAIR | 120.00 | 132.00 | |
| 351-7L | ENGINE MOUNTS - LEVEL suit V-DRIVE / JET DRIVE | PAIR | 130.00 | 143.00 | |
| 351-7EL | ENGINE MOUNTS - EXTRA LONG suit SOFT CLUTCH | PAIR | 150.00 | 165.00 | |
| 351-11-2 | WEDGE, CARBURETTOR, 2 BARREL suit DOG CLUTCH | | 150.00 | 165.00 | |
| 351-12-2 USE 289-11-2 | WEDGE, CARBURETTOR, 2 BARREL suit SOFT CLUTCH | | 150.00 | 165.00 | |
| 351-11-4H-H USE 350-11-4HH | WEDGE, CARBURETTOR, 4 BARREL, suit MANIFOLD=HOLLEY, CARBY=HOLLEY | | 150.00 | 165.00 | |
| WEDGES CARBURETTOR | REFER TO 350 CHEVROLET ENGINE CONVERSION, PAGE 11, FOR COMPLETE LIST OF 4 BARREL WEDGES. | | | | |
| 351-13 | BELL HOUSING, GEARBOX - BORG WARNER / Z.F. | | 995.00 | 1094.50 | |
| 351-16 | HOUSING, FLYWHEEL COVER suit V-DRIVE / JET DRIVE | | 495.00 | 544.50 | |
| 351-17 | THERMOSTAT OUTLET HOUSING | | 45.00 | 49.50 | |
| 351-18 | THERMO CONTROL - FLYWHEEL DRIVE / SOFT CLUTCH | | 225.00 | 247.50 | |
| 351-18T USE 350-18T | THERMO CONTROL - TIMING CASE DRIVE / DOG CLUTCH | | 225.00 | 247.50 | |
| 351-19 | THERMOSTAT BLANK OFF PLATE | | 25.00 | 27.50 | |
| 351-20 | FLYWHEEL END KIT suit JD 3/4", FYNspray 3/4", 6490-2901 JABSCO PUMPS | | 550.00 | 605.00 | |
| 351-21 | DOG CLUTCH ASSEMBLY | | 1,950.00 | 2,145.00 | |
| 351-21SC | SOFT CLUTCH ASSEMBLY inc CLUTCH KIT | | 1,950.00 | 2,145.00 | |
| 351-23S | MANIFOLDS, EXHAUST | PAIR | 1,250.00 | 1,375.00 | |
| 351-30 | TIMING CASE END KIT | | 495.00 | 544.50 | |
| 351-35 | DRIVE ADAPTOR - FLYWHEEL 1310 SERIES | | 250.00 | 275.00 | |
| 351-35A | DRIVE ADAPTOR - FLYWHEEL 1410 SERIES | | 250.00 | 275.00 | |
| 351-37 USE 350-37 | FLAME ARRESTOR 5/8" DIA | | 75.00 | 82.50 | S |



KINCAID MARINE ROLCO

Phone: (03) 9308 0922 Mobile: 0428 627 463
 Email: orders@kmrolco.com Website: www.kmrolco.com

351-302 FORD CLEVELAND V8 SPARE PARTS

| PART NUMBER | DESCRIPTION | QTY | LIST PRICE | PRICE INC GST |
|-------------|---|------|------------|---------------|
| 351-2-B | GASKET, WATER INLET PLATE | | 12.00 | 13.20 |
| 351-11-2-B | GASKET, CARBURETTOR, 2 BARREL | | 12.00 | 13.20 |
| 351-11-4-B | GASKET, CARBURETTOR, 4 BARREL suit HOLLEY / SQUARE BORE | | 12.00 | 13.20 |
| 351-17- B | GASKET, THERMO OUTLET HOUSING | | 7.00 | 7.70 |
| 351-18A | ELBOW, THERMO CONTROL | | 65.00 | 71.50 |
| 351-20-A | MOUNTS, FLYWHEEL END, suit TIMING CASE DRIVE / DOG CLUTCH | | 295.00 | 324.50 |
| 351-20-B | WATER PUMP MOUNT suit ALL PUMPS | | 95.00 | 104.50 |
| 351-20-C | ALTERNATOR TENSION ARM | | 45.00 | 49.50 |
| 351-20-D | PULLEY, FLYWHEEL suit TIMING CASE DRIVE / DOG CLUTCH | | 175.00 | 192.50 |
| 351-20-G | VEE BELT A-32 suit WATER PUMP | | 25.00 | 27.50 |
| 351-20-H | VEE BELT A-35 suit ALTERNATOR | | 25.00 | 27.50 |
| 351-21-1A | SEAL RETAINER, HALF MOON suit DOG CLUTCH | | 35.00 | 38.50 |
| 351-21-A | DOG CLUTCH HOUSING ONLY | | 995.00 | 1094.50 |
| 351-21-B | GASKET, TIMING CASE-DOG CLUTCH TO BLOCK | | 18.00 | 19.0 |
| 351-21SC-A | SOFT CLUTCH HOUSING ONLY | | 995.00 | 1094.50 |
| 351-23-B | GASKETS, EXHAUST MANIFOLD | PAIR | 35.00 | 38.50 |
| 351-23-B-LP | GASKETS, EXHAUST MANIFOLD - LARGE PORT / 4V | PAIR | 35.00 | 38.50 |
| 351-23S-SK | STUD, NUT & WASHER KIT | | 95.00 | 104.50 |
| 351-24 | NOSE DOG ASSEMBLY - BOB WEIGHT | | 995.00 | 1,094.50 |
| 351-24-B | NOSE DOG, HUB PIECE ONLY - BOB WEIGHT | | 750.00 | 825.00 |
| 351-24-FD | NOSE DOG, FLYWHEEL DRIVE – EARLY | | 750.00 | 825.00 |
| 351-30-A | ALTERNATOR MOUNT | | 55.00 | 60.50 |
| 351-30-B | WATER PUMP MOUNT suit 6490-2901 JABSCO PUMP | | 95.00 | 104.50 |
| 351-30-BF | WATER PUMP MOUNT Mounts on cylinder head suit FYNSPRAY PUMP | | 95.00 | 104.50 |
| 351-30-C | ALTERNATOR TENSION ARM | | 45.00 | 49.50 |
| 351-30-D | PULLEY, HARMONIC BALANCER | | 145.00 | 159.50 |
| 351-30-G | VEE BELT A-24 suit WATER PUMP | | 25.00 | 27.50 |
| 351-30-H | VEE BELT A-28 suit ALTERNATOR | | 25.00 | 27.50 |



KINCAID MARINE ROLCO

Phone: (03) 9308 0922 Mobile: 0428 627 463
 Email: orders@kmrolco.com Website: www.kmrolco.com

289-302-351 WINDSOR V8 CONVERSION

| PART NUMBER | DESCRIPTION | QTY | LIST PRICE | PRICE INC GST | DISC |
|---------------------------------|---|------|------------|---------------|------|
| 289-2 | WATER INLET PLATE | | 95.00 | 104.50 | |
| 289-7S USE 351-7S | ENGINE MOUNTS - SHORT suit DOG CLUTCH | PAIR | 120.00 | 132.00 | |
| 289-7L USE 351-7L | ENGINE MOUNTS - LEVEL suit V-DRIVE / JET DRIVE | PAIR | 130.00 | 143.00 | |
| 289-7EL USE 351-7EL | ENGINE MOUNTS - EXTRA LONG suit SOFT CLUTCH | PAIR | 150.00 | 165.00 | |
| 289-11-2 | WEDGE, CARBURETTOR, 2 BARREL suit TIMING CASE DRIVE / DOG CLUTCH | | 150.00 | 165.00 | |
| 289-12-2 USE 351-11-2 | WEDGE, CARBURETTOR, 2 BARREL suit FLYWHEEL DRIVE / SOFT CLUTCH | | 150.00 | 165.00 | |
| WEDGES CARBURETTOR | REFER TO 350 CHEVROLET ENGINE CONVERSION, PAGE 11, FOR COMPLETE LIST OF 4 BARREL WEDGES. | | | | |
| 289-13 USE 351-13 | BELL HOUSING, GEARBOX - BORG WARNER / Z.F. | | 995.00 | 1094.50 | |
| 289-16 USE 351-16 | HOUSING, FLYWHEEL COVER suit V-DRIVE / JET DRIVE | | 395.00 | 434.50 | |
| 289-17 | THERMOSTAT OUTLET HOUSING | | 45.00 | 49.50 | |
| 289-18 | THERMO CONTROL - FLYWHEEL DRIVE / SOFT CLUTCH | | 225.00 | 247.50 | |
| 289-18T USE 350-18T | THERMO CONTROL - TIMING CASE DRIVE / DOG CLUTCH | | 225.00 | 247.50 | |
| 289-19 | THERMOSTAT BLANK OFF PLATE | | 25.00 | 27.50 | |
| 289-20 USE 351-20 | FLYWHEEL END KIT suit JD ¾", FYNspray ¾", 6490-2901 JABSCO PUMP | | 550.00 | 605.00 | |
| 289-21 | DOG CLUTCH ASSEMBLY | | 1,950.00 | 2,145.00 | |
| 289-21SC USE 351-21SC | SOFT CLUTCH ASSEMBLY inc CLUTCH KIT | | 1,950.00 | 2,145.00 | |
| 289-23S | MANIFOLDS, EXHAUST | PAIR | 1,250.00 | 1,375.00 | |
| 289-30 | TIMING CASE END KIT (SEE NOTES BELOW) | | 495.00 | 544.50 | |
| 289-35 USE 351-35 | DRIVE ADAPTOR - FLYWHEEL 1310 SERIES | | 250.00 | 275.00 | |
| 289-35A USE 351-35A | DRIVE ADAPTOR - FLYWHEEL 1410 SERIES | | 250.00 | 275.00 | |
| 289-37 USE 350-37 | FLAME ARRESTOR 5½" DIA | | 75.00 | 82.50 | S |

PLEASE NOTE: The timing case end of the Ford Windsor engine has changed numerous times over the years, which makes it difficult for us to supply you with the correct kit. We have a few different options available but have found some later model engines require you to drill and tap some holes in the block or make some brackets up yourself. We apologise for any inconvenience caused by this.



KINCAID MARINE ROLCO

Phone: (03) 9308 0922 Mobile: 0428 627 463
 Email: orders@kmrolco.com Website: www.kmrolco.com

289-302-351 WINDSOR V8 SPARE PARTS

| PART NUMBER | DESCRIPTION | QTY | LIST PRICE | PRICE INC GST |
|-------------------------------------|--|------|------------|---------------|
| 289-2-B | GASKET, WATER PUMP BLANK OFF PLATE | | 12.00 | 13.20 |
| 289-11-B | GASKET, CARBURETTOR, 2 BARREL | | 12.00 | 13.20 |
| 289-17-B | GASKET, THERMOSTAT OUTLET HOUSING | | 12.00 | 13.20 |
| 289-20-A USE 351-20-A | MOUNTS, FLYWHEEL END suit TIMING CASE DRIVE / DOG CLUTCH | PAIR | 295.00 | 324.50 |
| 289-20-B USE 351-20-B | WATER PUMP MOUNT suit JD ¾", FYNSPRAY ¾", 6490-2901 JABSCO PUMP | | 95.00 | 104.50 |
| 289-20-C USE 351-20-C | ALTERNATOR TENSION ARM | | 45.00 | 49.50 |
| 289-20-D USE 351-20-D | PULLEY, FLYWHEEL suit TIMING CASE DRIVE / DOG CLUTCH | | 175.00 | 192.50 |
| 289-20-G USE 351-20-G | VEE BELT A-32 suit WATER PUMP | | 25.00 | 27.50 |
| 289-20-H USE 351-20-H | VEE BELT A-35 suit ALTERNATOR | | 25.00 | 27.50 |
| 289-21-A | DOG CLUTCH HOUSING ONLY | | 995.00 | 1,094.50 |
| 289-21-B | GASKET, TIMING CASE-DOG CLUTCH TO BLOCK | | 18.00 | 19.80 |
| 289-21SC-A USE 351-21SC-A | SOFT CLUTCH HOUSING ONLY | | 995.00 | 1,094.50 |
| 289-23-B | GASKETS, EXHAUST MANIFOLDS | PAIR | 35.00 | 38.50 |
| 289-23S-SK | STUD, NUT & WASHER KIT | | 95.00 | 104.50 |
| 289-24 USE 351-24 | NOSE DOG ASSEMBLY - BOB WEIGHT | | 995.00 | 1,094.50 |
| 289-24-B USE 351-24-B | NOSE DOG, HUB PIECE ONLY - BOB WEIGHT | | 750.00 | 82.50 |
| 289-24-LATE | NOSE DOG ASSEMBLY - BOB WEIGHT, suit LATE MODEL 5.0 Litre | | 995.00 | 1,094.50 |
| 289-30-A | ALTERNATOR MOUNT | | 55.00 | 60.50 |
| 289-30-B | WATER PUMP MOUNT suit 6490-2901 JABSCO PUMP | | 95.00 | 104.50 |
| 289-30-C | ALTERNATOR TENSION ARM | | 45.00 | 49.50 |
| 289-30-D USE 351-30-D | PULLEY, HARMONIC BALANCER | | 145.00 | 159.50 |
| 289-30-G | VEE BELT A-24 suit WATER PUMP | | 25.00 | 27.50 |
| 289-30-H | VEE BELT A-28 suit ALTERNATOR | | 25.00 | 27.50 |



KINCAID MARINE ROLCO

Phone: (03) 9308 0922 Mobile: 0428 627 463
 Email: orders@kmrolco.com Website: www.kmrolco.com

250 FORD 6 CYL CONVERSION

| PART NUMBER | DESCRIPTION | QTY | LIST PRICE | PRICE INC GST |
|-----------------------------|---|------|------------|---------------|
| 250 XF-11-1 | WEDGE, CARBURETTOR, 1 BARREL suit X-FLOW | | 50.00 | 55.00 |
| 250 XF-11-2 | WEDGE, CARBURETTOR, 2 BARREL suit X-FLOW | | 125.00 | 137.50 |
| 250 XF-23S | MANIFOLD, EXHAUST TOP / BOTTOM OUTLET suit X-FLOW, ALLOY or CAST IRON HEAD | | 1250.00 | 1375.00 |
| 250 XF-30 | TIMING CASE END KIT, X-FLOW suit ½" PLAIN BEARING PUMP | | 350.00 | 385.00 |
| 250 XF-37 | FLAME ARRESTOR, 2 THROAT suit X-FLOW 3" HOLE | | 95.00 | 104.50 |
| MF 8R | RISER – EXHAUST, 90° suit 250 XF-23S AL | EACH | 395.00 | 434.50 |
| 250-2 | WATER INLET PLATE | | 75.00 | 82.50 |
| 250-7L | ENGINE MOUNTS – LEVEL | PAIR | 125.00 | 137.50 |
| 250-11-1 | WEDGE, CARBURETTOR, 1 BARREL suit T/C DRIVE - PRE X-FLOW | | 50.00 | 55.00 |
| 250-12-1 | WEDGE, CARBURETTOR, 1 BARREL suit F/W DRIVE - PRE X-FLOW | | 50.00 | 55.00 |
| 250-13 | BELL HOUSING, GEARBOX - BORG WARNER / Z.F. | | 550.00 | 605.00 |
| 250-16 | HOUSING, FLYWHEEL COVER suit V-DRIVE / JET DRIVE | | 450.00 | 495.00 |
| 250-17 | THERMOSTAT OUTLET HOUSING | | 45.00 | 49.50 |
| 250-18 USE 289-18 | THERMO CONTROL - FLYWHEEL DRIVE | | 225.00 | 247.50 |
| 250-19 | THERMOSTAT BLANK OFF PLATE | | 30.00 | 33.00 |
| 250-20 | FLYWHEEL END KIT, PRE X-FLOW suit ½" PLAIN BEARING PUMP | | 550.00 | 605.00 |
| 250-21 | DOG CLUTCH ASSEMBLY | | 1500.00 | 1650.00 |
| 250-23T | MANIFOLD, EXHAUST, TRIPLE OUTLET suit PRE X-FLOW | | 1250.00 | 1375.00 |
| 250-30 | TIMING CASE END KIT suit PRE X-FLOW | | 350.00 | 385.00 |
| 250-37 USE 307-37 | FLAME ARRESTOR, 2½" DIA | | 95.00 | 104.50 |
| 250-23S-FG | MANIFOLD, EXHAUST TOP / BOTTOM OUTLET SUIT BARRA MOTOR | | 1500.00 | 1650.00 |

ABOVE ITEMS MAY BE SUBJECT TO A SIX (6) WEEK DELIVERY TIME



KINCAID MARINE ROLCO

Phone: (03) 9308 0922 Mobile: 0428 627 463
 Email: orders@kmrolco.com Website: www.kmrolco.com

250 FORD 6 CYL SPARE PARTS

| PART NUMBER | DESCRIPTION | LIST PRICE | PRICE INC GST |
|---------------|---|------------|---------------|
| 250 XF-23-B | GASKET, EXHAUST MANIFOLD suit X-FLOW | 35.00 | 38.50 |
| 250 XF-23S-SK | STUD / NUT & WASHER KIT suit X-FLOW | 95.00 | 104.50 |
| 250 XF-30-D | PULLEY, HARMONIC BALANCER, 4 BOLT suit X-FLOW | 95.00 | 104.50 |
| 250 XF-30-E | WATER PUMP BASE PLATE suit X-FLOW | 75.00 | 82.50 |
| 250 XF-30-G | VEE BELT A-34 suit WATER PUMP | 25.00 | 27.50 |
| 250 XF-30-H | VEE BELT A-35 suit ALTERNATOR | 25.00 | 27.50 |
| 250-2-B | GASKET, WATER INLET PLATE | 12.00 | 13.20 |
| 250-17-B | GASKET, THERMOSTAT OUTLET | 7.00 | 7.70 |
| 250-20-A | MOUNTS, FLYWHEEL END suit TIMING CASE DRIVE / DOG CLUTCH | 295.00 | 324.50 |
| 250-20-B | WATER PUMP MOUNT suit ½" PLAIN BEARING PUMP | 95.00 | 104.50 |
| 250-20-C | ALTERNATOR TENSION ARM | 50.00 | 55.00 |
| 250-20-D | PULLEY, FLYWHEEL suit TIMING CASE DRIVE / DOG CLUTCH | 150.00 | 165.00 |
| 250-20-E | ALTERNATOR MOUNT | 50.00 | 55.00 |
| 250-20-G | VEE BELT A-40, ALTERNATOR / WATER PUMP | 30.00 | 33.00 |
| 250-21-A | DOG CLUTCH HOUSING ONLY | 995.00 | 1094.50 |
| 250-21-B | GASKET, TIMING CASE-DOG CLUTCH TO BLOCK | 15.00 | 16.50 |
| 250-23-B | GASKET, EXHAUST MANIFOLDS suit PRE X-FLOW | 35.00 | 38.50 |
| 250-24 | NOSE DOG ASSEMBLY SHRINK FIT 1" BUSH | 495.00 | 544.50 |
| 250-24-B | NOSE DOG HUB PIECE ONLY SHRINK FIT | 250.00 | 275.00 |
| 250-30-A | ALTERNATOR MOUNT | 60.00 | 66.00 |
| 250-30-B | WATER PUMP MOUNT suit ½" PLAIN BEARING PUMP | 95.00 | 104.50 |
| 250-30-C | ALTERNATOR TENSION ARM | 45.00 | 49.50 |
| 250-30-D | PULLEY, HARMONIC BALANCER, 3 BOLT | 95.00 | 104.50 |
| 250-30-E | WATER PUMP BASE PLATE | 95.00 | 104.50 |
| 250-30-G | VEE BELT A-34 suit WATER PUMP | 25.00 | 27.50 |
| 250-30-H | VEE BELT A-36 suit ALTERNATOR | 25.00 | 27.50 |

ABOVE ITEMS MAY BE SUBJECT TO A SIX (6) WEEK DELIVERY TIME



KINCAID MARINE ROLCO

Phone: (03) 9308 0922 Mobile: 0428 627 463
 Email: orders@kmrolco.com Website: www.kmrolco.com

308 HOLDEN V8 CONVERSION

| PART NUMBER | DESCRIPTION | QTY | LIST PRICE | PRICE INC GST | DISC |
|-------------------------------|---|------|------------|---------------|------|
| 308-2 | WATER INLET PLATE | | 75.00 | 82.50 | |
| 308-7S | ENGINE MOUNTS - SHORT suit DOG CLUTCH | PAIR | 120.00 | 132.00 | |
| 308-7L | ENGINE MOUNTS - LEVEL suit V-DRIVE / JET DRIVE | PAIR | 130.00 | 143.00 | |
| 308-7EL | ENGINE MOUNTS - EXTRA LONG suit SOFT CLUTCH | PAIR | 150.00 | 165.00 | |
| 308-11-4Q-Q USE 350-11-4QQ | WEDGE, CARBURETTOR, 4 BARREL, suit DOG CLUTCH, MANIFOLD=QUAD, CARBY=QUAD | | 150.00 | 165.00 | |
| 308-12-4Q-Q USE 350-12-4QQ | WEDGE, CARBURETTOR, 4 BARREL, suit SOFT CLUTCH, MANIFOLD=QUAD, CARBY=QUAD | | 150.00 | 165.00 | |
| 202-11-2 | WEDGE, CARBURETTOR, 2 BARREL | | 150.00 | 165.00 | |
| WEDGES CARBURETTOR | REFER TO 350 CHEVROLET ENGINE CONVERSION, PAGE 11, FOR COMPLETE LIST OF 4 BARREL WEDGES. | | | | |
| 308-13 | BELL HOUSING, GEARBOX – BORG WARNER / Z.F. | | 995.00 | 1094.50 | |
| 308-16 | HOUSING, FLYWHEEL COVER suit V-DRIVE / JET DRIVE | | 495.00 | 544.50 | |
| 308-17 | THERMOSTAT OUTLET HOUSING | | 45.00 | 49.50 | |
| 308-18 | THERMO CONTROL - FLYWHEEL DRIVE / SOFT CLUTCH | | 225.00 | 247.50 | |
| 308-18EFI USE 350-18 | THERMO CONTROL - EFI, FLYWHEEL DRIVE | | 195.00 | 214.50 | |
| 308-18T | THERMO CONTROL - TIMING CASE DRIVE / DOG CLUTCH | | 225.00 | 247.50 | |
| 308-19 | THERMOSTAT BLANK OFF PLATE | | 25.00 | 27.50 | |
| 308-20 | FLYWHEEL END KIT | | 550.00 | 605.00 | |
| 308-21 | DOG CLUTCH ASSEMBLY | | 1,950.00 | 2,145.00 | |
| 308-21SC | SOFT CLUTCH ASSEMBLY inc CLUTCH KIT | | 1,950.00 | 2,145.00 | |
| 308-23S | MANIFOLDS, EXHAUST | PAIR | 1,250.00 | 1,375.00 | |
| 308-30 | TIMING CASE END KIT suit ¾" PLAIN BEARING PUMP | | 495.00 | 544.50 | |
| 308-35 | DRIVE ADAPTOR - FLYWHEEL 1310 SERIES | | 250.00 | 275.00 | |
| 308-35A | DRIVE ADAPTOR - FLYWHEEL 1410 SERIES | | 250.00 | 275.00 | |
| 308-37 USE 350-37 | FLAME ARRESTOR 5½ " DIA | | 75.00 | 82.50 | S |

5.0L E.F.I. HOLDEN V8 CONVERSION

| | | | | |
|---------|---|------|----------|----------|
| 5.0-23S | MANIFOLDS, EXHAUST 5.0LT HOLDEN V8 EFI LATE MODEL | PAIR | 1,500.00 | 1,650.00 |
| 5.0-30 | TIMING CASE END KIT suit ¾" BALL BEARING PUMP | | 495.00 | 544.50 |

5.0L E.F.I. HOLDEN V8 SPARE PARTS

| | | | | |
|----------|--|------|--------|--------|
| 5.0-23B | GASKETS, EXHAUST MANIFOLD | PAIR | 35.00 | 38.50 |
| 5.0-30-B | WATER PUMP MOUNT | | 95.00 | 104.50 |
| 5.0-30-C | ALTERNATOR TENSION ARM | | 50.00 | 55.00 |
| 5.0-30-D | PULLEY, HARMONIC BALANCER EFI V8 | | 145.00 | 159.50 |
| 5.0-30-E | WATER PUMP BASE PLATE AND ALTERNATOR MOUNT | | 70.00 | 77.00 |

FOR ALL OTHER 5.0L E.F.I. MARINISING COMPONENTS USE 308

NOTE: BELL HOUSING BOLT PATTERN ON 5.0L E.F.I. HOLDEN V8 IS THE SAME AS CHEVROLET, SEE 350 SECTION



KINCAID MARINE ROLCO

Phone: (03) 9308 0922 Mobile: 0428 627 463
 Email: orders@kmrolco.com Website: www.kmrolco.com

308 HOLDEN V8 SPARE PARTS

| PART NUMBER | DESCRIPTION | QTY | LIST PRICE | PRICE INC GST |
|-------------------------------------|---|------|------------|---------------|
| 308-2-B | GASKET, WATER INLET PLATE | | 12.00 | 13.20 |
| 308-11-B | GASKET, CARBURETTOR, 4 BARREL QUADRAJET | | 12.00 | 13.20 |
| 308-17-B | GASKET, THERMOSTAT | | 7.00 | 7.70 |
| 308-20-A | MOUNTS, FLYWHEEL END suit TIMING CASE DRIVE / DOG CLUTCH | | 295.00 | 324.50 |
| 308-20-B | WATER PUMP MOUNT suit ¾" PLAIN BEARING PUMPS | | 95.00 | 104.50 |
| 308-20-C | ALTERNATOR TENSION ARM | | 35.00 | 38.50 |
| 308-20-D USE 350-20-D | PULLEY, FLYWHEEL suit TIMING CASE DRIVE / DOG CLUTCH | | 145.00 | 159.50 |
| 308-20-F | SPACER ALTERNATOR | | 15.00 | 16.50 |
| 308-20-G | VEE BELT A-35 suit WATER PUMP | | 25.00 | 27.50 |
| 308-20-H | VEE BELT A-35 suit ALTERNATOR | | 25.00 | 27.50 |
| 308-21-A | DOG CLUTCH HOUSING ONLY | | 995.00 | 1094.50 |
| 308-21-B | GASKET, TIMING CASE-DOG CLUTCH TO BLOCK | | 35.00 | 38.50 |
| 308-21SC-A | SOFT CLUTCH HOUSING ONLY | | 995.00 | 1094.50 |
| 308-23-B | GASKET, EXHAUST MANIFOLD | PAIR | 35.00 | 38.50 |
| 308-23S-SK USE 350-23S-SK | STUD, NUT & WASHER KIT | | 95.00 | 104.50 |
| 308-24 | NOSE DOG ASSEMBLY SHRINK FIT - 1" BUSH | | 495.00 | 544.50 |
| 308-24P/T | NOSE DOG ASSEMBLY PIN TYPE - ¾" BUSH | | 495.00 | 544.50 |
| 308-24US | NOSE DOG ASSEMBLY UNDERSIZE | | 495.00 | 544.50 |
| 308-24-B | NOSE DOG HUB PIECE ONLY (SPECIFY TYPE) | | 250.00 | 275.00 |
| 308-24-FD | NOSE DOG, FLY WHEEL DRIVE – EARLY (suit HOLDEN V8) | | 495.00 | 544.50 |
| 308-30-A | ALTERNATOR MOUNT | | 55.00 | 60.50 |
| 308-30-B | WATER PUMP MOUNT | | 95.00 | 104.50 |
| 308-30-C | ALTERNATOR TENSION ARM | | 45.00 | 49.50 |
| 308-30-D | PULLEY, HARMONIC BALANCER | | 145.00 | 159.50 |
| 308-30-G | VEE BELT A-33 suit WATER PUMP | | 25.00 | 27.50 |
| 308-30-H | VEE BELT A-38 suit ALTERNATOR | | 30.00 | 33.00 |



KINCAID MARINE ROLCO

Phone: (03) 9308 0922 Mobile: 0428 627 463
 Email: orders@kmrolco.com Website: www.kmrolco.com

V6 3.8 LT HOLDEN CONVERSION

| PART NUMBER | DESCRIPTION | QTY | LIST PRICE | PRICE INC GST | DISC |
|--------------|---|------|------------|---------------|------|
| 3800-2 | WATER INLET PLATE suit VN / VP / VR | | 95.00 | 104.50 | |
| 3800-2J | WATER INLET PLATE suit JET & VS / VT | | 95.00 | 104.50 | |
| 3800-7L | ENGINE MOUNTS, LEVEL inc ALTERNATOR MOUNT | PAIR | 150.00 | 165.00 | |
| 3800-13 | BELL HOUSING, GEARBOX – BORG WARNER / Z.F. | | 995.00 | 1094.50 | |
| 3800-16 | HOUSING, FLYWHEEL COVER suit JET / V-DRIVE | | 495.00 | 544.50 | |
| 3800-18 | THERMO CONTROL - FLYWHEEL DRIVE/SOFT CLUTCH | | 195.00 | 214.50 | |
| 3800-18-OS-E | THERMOSTAT OFFSET MOUNT suit VS / VT | | 95.00 | 104.50 | |
| 3800-18-OS-O | THERMOSTAT OFFSET MOUNT suit VN / VP / VR | | 95.00 | 104.50 | |
| 3800-21SC | SOFT CLUTCH ASSEMBLY inc CLUTCH KIT | | 1,950.00 | 2,145.00 | |
| 3800-23S-E | MANIFOLDS, EXHAUST ASSEMBLY - EVEN PORT suit VS / VT | PAIR | 1,500.00 | 1,650.00 | |
| 3800-23S-O | MANIFOLDS, EXHAUST ASSEMBLY - ODD PORT suit VN / VP / VR | PAIR | 1,500.00 | 1,650.00 | |
| 3800-30J | ALTERNATOR MOUNTING KIT suit JET DRIVE (NO WATER PUMP MOUNT) | | 250.00 | 275.00 | |
| 3800-30VNR | TIMING CASE END KIT suit 6490-2901 JABSCO PUMP | | 495.00 | 544.50 | |
| 3800-30VST | TIMING CASE END KIT suit ¾ Ball Bearing Pump | | 495.00 | 544.50 | |
| 3800-37 | FLAME ARRESTOR K & N STYLE | | 150.00 | 165.00 | S |

V6 3.8 LT HOLDEN SPARE PARTS

| PART NUMBER | DESCRIPTION | QTY | LIST PRICE | PRICE INC GST | DISC |
|---------------|---|------|------------|---------------|------|
| 3800-2B | GASKET, WATER INLET PLATE | | 25.00 | 27.50 | |
| 3800-3TIP | PULLEY, IDLER TENSIONER suit VS / VT | | 95.00 | 104.50 | |
| 3800-17B | GASKET, THERMOSTAT | | 7.00 | 7.70 | |
| 3800-23-EA | ADAPTORS, EXHAUST, EVEN PORT suit VS / VT | PAIR | 595.00 | 654.50 | |
| 3800-23-OA | ADAPTORS, EXHAUST, ODD PORT suit VN / VP / VR | PAIR | 595.00 | 654.50 | |
| 3800-23S-M | MANIFOLD ONLY, EXHAUST | PAIR | 995.00 | 1,094.50 | |
| 3800-23S-SK | STUD, NUT & WASHER KIT | | 95.00 | 104.50 | |
| 3800-30-B-VNR | WATER PUMP MOUNT, suit VN / VP / VR / 6490-2901 JABSCO PUMP | | 95.00 | 104.50 | |
| 3800-30-B-VST | WATER PUMP MOUNT, suit VS / VT / 6490-2901 JABSCO PUMP | | 95.00 | 104.50 | |
| 3800-30-C | ALTERNATOR TENSION ARM, suit VN / VP / VR | | 50.00 | 55.00 | |
| 3800-30-D | PULLEY, HARMONIC BALANCER suit ALL MODELS | | 75.00 | 82.50 | |
| 3800-30-G-VNR | VEE BELT A-22, suit VN / VP / VR WATER PUMP | | 25.00 | 27.50 | |
| 3800-30-G-VST | VEE BELT A-27, suit VS / VT WATER PUMP | | 25.00 | 27.50 | |
| 3800-30-H-VNR | VEE BELT RIBBED 6PK (SURPENTINE) | | 150.00 | 165.00 | S |
| 3800-30-H-VST | VEE BELT RIBBED 6PK (SURPENTINE) | | 150.00 | 165.00 | S |



KINCAID MARINE ROLCO

Phone: (03) 9308 0922 Mobile: 0428 627 463
 Email: orders@kmrolco.com Website: www.kmrolco.com

202 HOLDEN 6 CYL CONVERSION

| PART NUMBER | DESCRIPTION | QTY | LIST PRICE | PRICE INC GST |
|-------------|---|------|------------|---------------|
| 202-2 | WATER INLET PLATE | | 75.00 | 82.50 |
| 202-7L | ENGINE MOUNTS - LEVEL | PAIR | 150.00 | 165.00 |
| 202-11-1 | WEDGE, CARBURETTOR, 1 BARREL | | 55.00 | 60.50 |
| 202-11-2 | WEDGE, CARBURETTOR, 2 BARREL | | 75.00 | 82.50 |
| 202-11-V | WEDGE/ADAPTOR, CARBURETTOR, (2 TO 1 BARREL) | | 75.00 | 82.50 |
| 202-13 | BELL HOUSING, GEARBOX - BORG WARNER / Z.F. | | 995.00 | 1094.50 |
| 202-16 | HOUSING, FLYWHEEL COVER suit JET / V-DRIVE | | 395.00 | 434.50 |
| 202-19 | THERMOSTAT BLANK OFF PLATE | | 55.00 | 60.50 |
| 202-19T | THERMOSTAT OUTLET COVER suit THERMO CONTROL | | 75.00 | 82.50 |
| 202-20 | FLYWHEEL END KIT suit 3/8" or 1/2" PLAIN BEARING PUMPS | | 550.00 | 605.00 |
| 202-21 | DOG CLUTCH ASSEMBLY | | 1,500.00 | 1,650.00 |
| 202-23S | MANIFOLD, EXHAUST, SINGLE BOTTOM OUTLET | | 1,500.00 | 1,650.00 |
| 202-30 | TIMING CASE END KIT suit 3/8" or 1/2" PLAIN BEARING PUMPS | | 495.00 | 544.50 |
| 202-37 | FLAME ARRESTOR 2 ⁵ / ₁₆ " DIA | | 95.00 | 104.50 |

202 HOLDEN 6 CYL SPARE PARTS

| PART NUMBER | DESCRIPTION | QTY | LIST PRICE | PRICE INC GST |
|-------------|--|------|------------|---------------|
| 202-1-B | GASKET, CARBURETTOR, SINGLE BARREL | | 7.00 | 7.70 |
| 202-2-B | GASKET, WATER INLET PLATE | | 12.00 | 13.20 |
| 202-19-B | GASKET, THERMOSTAT OUTLET | | 7.00 | 7.70 |
| 202-20-A | MOUNTS, FLYWHEEL END suit TIMING CASE DRIVE/DOG CLUTCH | PAIR | 295.00 | 324.50 |
| 202-20-B | WATER PUMP MOUNT suit 3/8" or 1/2" PLAIN BEARING PUMPS | | 95.00 | 104.50 |
| 202-20-C | ALTERNATOR TENSION ARM | | 45.00 | 49.50 |
| 202-20-D | PULLEY, FLYWHEEL suit TIMING CASE DRIVE/DOG CLUTCH | | 95.00 | 104.50 |
| 202-20-G | VEE BELT A-35 | | 25.00 | 27.50 |
| 202-21-A | DOG CLUTCH HOUSING ONLY | | 995.00 | 1,094.50 |
| 202-21-B | GASKET, TIMING CASE-DOG CLUTCH TO BLOCK | | 15.00 | 16.50 |
| 202-23-B | GASKET, EXHAUST MANIFOLD | | 35.00 | 38.50 |
| 202-23S-SK | STUD, NUT & WASHER KIT | | 95.00 | 104.50 |
| 202-24 | NOSE DOG ASSEMBLY SHRINK FIT 1" BUSH | | 495.00 | 544.50 |
| 202-24P/T | NOSE DOG ASSEMBLY PIN TYPE 3/4" BUSH | | 495.00 | 544.50 |
| 202-24US | NOSE DOG ASSEMBLY UNDERSIZE | | 495.00 | 544.50 |
| 202-24-B | NOSE DOG HUB PIECE ONLY (SPECIFY TYPE) | | 250.00 | 275.00 |
| 202-30-A | ALTERNATOR MOUNT | | 50.00 | 55.00 |
| 202-30-B | WATER PUMP MOUNT suit 3/8" or 1/2" PLAIN BEARING PUMPS | | 95.00 | 104.50 |
| 202-30-C | ALTERNATOR TENSION ARM | | 45.00 | 49.50 |
| 202-30-D | PULLEY, HARMONIC BALANCER | | 95.00 | 104.50 |
| 202-30-E | WATER PUMP BASE PLATE | | 50.00 | 55.00 |
| 202-30-G | VEE BELT A-25 suit WATER PUMP | | 25.00 | 27.50 |
| 202-30-H | VEE BELT A-34 suit ALTERNATOR | | 25.00 | 27.50 |

ABOVE ITEMS MAY BE SUBJECT TO A SIX (6) WEEK DELIVERY TIME



KINCAID MARINE ROLCO

Phone: (03) 9308 0922 Mobile: 0428 627 463
 Email: orders@kmrolco.com Website: www.kmrolco.com

DOG CLUTCH SPARE PARTS

| PART NUMBER | DESCRIPTION | LIST PRICE | PRICE INC GST |
|---------------------------------------|--|------------|---------------|
| SLIDER DOGS | | | |
| SC 2 | SLIDER DOG, 3 TOOTH, 10 SPLINE suit ROLCO / M.C.E. CLUTCH | 275.00 | 302.50 |
| SC 2-T | SLIDER DOG, 3 TOOTH, 10 SPLINE suit TAWCO CLUTCH WITH ALLOY FORK, (WIDE GROOVE) | 275.00 | 302.50 |
| SC 2-WVK | SLIDER DOG, 3 TOOTH, 6 SPLINE suit EARLY KINCAID & TAWCO CLUTCH | 275.00 | 302.50 |
| DRIVE PIECES (DRIVE DOGS) | | | |
| SC 24P/T-A | ¾" DRIVE PIECE ONLY suit PIN TYPE HUBS | 250.00 | 275.00 |
| SC 24-1 | 1" DRIVE PIECE ONLY suit SHRINK FIT HUBS | 250.00 | 275.00 |
| SC 24-TAW | 5/8" DRIVE PIECE ONLY suit TAWCO | 250.00 | 275.00 |
| SC-24-MCE | DRIVE PIECE ONLY suit MCE | 350.00 | 385.00 |
| NOSE DOG HUBS & ASSEMBLIES | | | |
| CHEVROLET | | | |
| 350-24 | NOSE DOG ASSEMBLY SHRINK FIT 1" BUSH | 495.00 | 544.50 |
| 350-24P/T | NOSE DOG ASSEMBLY PIN TYPE ¾" BUSH | 495.00 | 544.50 |
| 350-24US | NOSE DOG ASSEMBLY UNDERSIZE | 495.00 | 544.50 |
| 350-24-B | NOSE DOG HUB PIECE ONLY (SPECIFY TYPE) | 250.00 | 275.00 |
| FORD | | | |
| 351-24 | NOSE DOG ASSEMBLY – BOB WEIGHT | 995.00 | 1,094.50 |
| 351-24-B | NOSE DOG, HUB PIECE ONLY – BOB WEIGHT | 750.00 | 825.00 |
| 289-24 USE 351-24 | NOSE DOG ASSEMBLY – BOB WEIGHT | 995.00 | 1,094.50 |
| 289-24-B USE 351-24-B | NOSE DOG, HUB PIECE ONLY – BOB WEIGHT | 750.00 | 825.00 |
| 289-24-LATE | NOSE DOG ASSEMBLY - BOB WEIGHT, suit LATE MODEL 5.0 Litre | 995.00 | 1,094.50 |
| 250-24 | NOSE DOG ASSEMBLY SHRINK FIT 1" BUSH | 495.00 | 544.50 |
| 250-24-B | NOSE DOG HUB PIECE ONLY SHRINK FIT | 250.00 | 275.00 |
| HOLDEN | | | |
| 308-24 | NOSE DOG ASSEMBLY SHRINK FIT – 1" BUSH | 495.00 | 544.50 |
| 308-24P/T | NOSE DOG ASSEMBLY PIN TYPE - ¾" BUSH | 495.00 | 544.50 |
| 308-24US | NOSE DOG ASSEMBLY UNDERSIZE | 495.00 | 544.50 |
| 308-24-B | NOSE DOG HUB PIECE ONLY (SPECIFY TYPE) | 250.00 | 275.00 |
| 202-24 | NOSE DOG ASSEMBLY SHRINK FIT 1" BUSH | 495.00 | 544.50 |
| 202-24P/T | NOSE DOG ASSEMBLY PIN TYPE ¾" BUSH | 495.00 | 544.50 |
| 202-24US | NOSE DOG ASSEMBLY UNDERSIZE | 495.00 | 544.50 |
| 202-24-B | NOSE DOG HUB PIECE ONLY (SPECIFY TYPE) | 250.00 | 275.00 |
| 202-24-WVK | NOSE DOG ASSEMBLY (SHORT) suit EARLY KINCAID & TAWCO CLUTCH | 495.00 | 544.50 |
| 202-24-B-WVK | NOSE DOG HUB PIECE ONLY (SHORT) suit EARLY KINCAID & TAWCO CLUTCH | 250.00 | 275.00 |
| CHRYSLER | | | |
| 265-24 | NOSE DOG ASSEMBLY suit CHRYSLER 6 CYLINDER | 495.00 | 544.50 |
| 265-24-B | NOSE DOG HUB PIECE ONLY suit CHRYSLER 6 CYLINDER | 275.00 | 302.50 |
| 318-24 | NOSE DOG ASSEMBLY suit CHRYSLER V8 | 595.00 | 654.50 |
| 318-24-B | NOSE DOG HUB PIECE ONLY suit CHRYSLER V8 | 350.00 | 385.00 |
| FLYWHEEL DRIVE | | | |
| 351-24-FD | NOSE DOG, FLYWHEEL DRIVE – EARLY suit FORD V8 | 750.00 | 825.00 |
| 308-24-FD | NOSE DOG, FLYWHEEL DRIVE – EARLY suit HOLDEN V8 & CHEV V8 | 750.00 | 825.00 |

MOST ROLCO NOSE DOGS WILL INTERCHANGE WITH ALL OTHER BRANDS OF CLUTCHES



KINCAID MARINE ROLCO

Phone: (03) 9308 0922 Mobile: 0428 627 463
 Email: orders@kmrolco.com Website: www.kmrolco.com

DOG CLUTCH SPARE PARTS

| PART NUMBER | DESCRIPTION | LIST PRICE | PRICE INC GST |
|-----------------------------------|---|------------|---------------|
| LEVERS | | | |
| DC 10-5 | LEVER, DOG CLUTCH, 5", BALL DETENT TYPE POLISHED | 150.00 | 165.00 |
| DC 10-8 | LEVER, DOG CLUTCH, 8", BALL DETENT TYPE POLISHED | 150.00 | 165.00 |
| DC 10-V | LEVER, DOG CLUTCH, 8", PUSH DOWN TYPE, suit V-DRIVE POLISHED | 150.00 | 165.00 |
| DC 10-FNR | LEVER, 3 POSITION, 8", PUSH DOWN TYPE, suit FORWARD / NEUTRAL / REVERSE POLISHED | 150.00 | 165.00 |
| FORKS | | | |
| SC 1 | FORK, SELECTOR, LONG, TOP BOLT, suit DOG CLUTCH | 75.00 | 82.50 |
| FLC 2 | FORK, SELECTOR, SHORT, TOP BOLT, suit DOG CLUTCH | 75.00 | 82.50 |
| LC 2 | FORK, SELECTOR, SHORT, FRONT BOLT suit ROLCO LINE CLUTCH and M.C.E. DOG CLUTCHES | 75.00 | 82.50 |
| SC 1-WVK | FORK, SELECTOR, suit EARLY KINCAID & TAWCO DOG CLUTCHES | 95.00 | 104.50 |
| SC 1-TAW | FORK, SELECTOR, ALLOY, suit TAWCO DOG CLUTCH | 75.00 | 82.50 |
| INTERNAL DOG CLUTCH SPARES | | | |
| SC 3-¾ | SHAFT, ¾" SPIGOT, SPLINED, FLANGED, suit DOG CLUTCH | 750.00 | 825.00 |
| SC 4 | SEAL CARRIER KIT, suit DOG CLUTCH | 75.00 | 82.50 |
| SC 4B | GASKET, SEAL CARRIER, suit DOG CLUTCH | 12.00 | 13.20 |
| SC 5 | SEAL 1¾"ID x 2½"OD x ¾" WIDE, suit DOG CLUTCH and SOFT CLUTCH | 15.00 | 16.50 |
| SC 6 | BEARING 3207 - 2RSR DOUBLE ROW, suit EARLY DOG CLUTCH | 75.00 | 82.50 |
| SC 6A | BEARING 6207 - 2RSR SINGLE ROW, suit DOG CLUTCH | 25.00 | 27.50 |
| SC 12 | BUSH 1" ID x 1½" OD x ¾" LONG, suit EARLY DOG CLUTCH | 15.00 | 16.50 |
| SC 12P/T | BUSH ¾" ID x 7/8" OD x ¾" LONG, suit PIN TYPE NOSE DOG | 15.00 | 16.50 |
| SC 9 | "O" RING ½" x 3/32", SELECTOR SHAFT, suit DOG CLUTCH | 3.00 | 3.30 |
| SC 14A | BALL JOINT, 3/8" SLIDING, LEVER and SELECTOR SHAFT, suit DOG CLUTCH | 35.00 | 38.50 |
| SC 15 | SELECTOR SHAFT, suit DOG CLUTCH | 75.00 | 82.50 |
| SC 17 | LID KIT, suit DOG CLUTCH | 60.00 | 66.00 |
| SC 17B | GASKET, LID, suit DOG CLUTCH | 12.00 | 13.20 |
| SC 19 | GRUB SCREWS - NOSE DOG HUB RETAINING (SET OF 2), suit DOG CLUTCH | 6.00 | 6.60 |
| SC 20 | SCREWS - SEAL CARRIER (SET OF 6), suit DOG CLUTCH | 12.00 | 13.20 |
| SC 24P/T-P | DRIVE PIN, 3/8", suit PIN TYPE NOSE DOG HUBS | 9.00 | 9.90 |
| SC 25 | CIRCLIP, MAIN SHAFT, suit DOG CLUTCH and SOFT CLUTCH | 6.00 | 6.60 |
| SC 26 | BOLT KIT, DOG CLUTCH HOUSING TO ENGINE BLOCK (ALL ENGINES) | 25.00 | 27.50 |
| LC 24-A | SHAFT, SPLINED, suit FLYWHEEL OR LINE CLUTCH | 750.00 | 825.00 |
| LC 24-B | SHAFT, KEYED, suit LINE CLUTCH, 1" DIA - ¼" KEY | 550.00 | 605.00 |

FOR BARE DOG CLUTCH HOUSINGS, REFER TO APPLICABLE ENGINE SPARE PARTS SECTION e.g. CHEVROLET, FORD, HOLDEN



KINCAID MARINE ROLCO

Phone: (03) 9308 0922 Mobile: 0428 627 463
 Email: orders@kmrolco.com Website: www.kmrolco.com

SOFT CLUTCH SPARE PARTS

| PART NUMBER | DESCRIPTION | LIST PRICE | PRICE INC GST |
|-------------|---|------------|---------------|
| SM 1 | FORK, CLUTCH RELEASE, suit SOFT CLUTCH | 150.00 | 165.00 |
| SM 1RS | SPRING, RETURN, suit CLUTCH RELEASE FORK, SOFT CLUTCH | 9.00 | 9.90 |
| SM 2 | CARRIER, RELEASE BEARING, suit SOFT CLUTCH | 75.00 | 82.50 |
| SM 3 | SHAFT, SPLINED, suit SOFT CLUTCH | 750.00 | 825.00 |
| SM 4 | SEAL CARRIER KIT, suit SOFT CLUTCH | 75.00 | 82.50 |
| SM 4B | GASKET, SEAL CARRIER, suit SOFT CLUTCH | 12.00 | 13.20 |
| SM 5 | PIVOT ADJUSTER BALL & NUT, suit SOFT CLUTCH RELEASE FORK | 50.00 | 55.00 |
| SM 6 | SPRING, RETAINING, suit SOFT CLUTCH RELEASE FORK (SM 1 to SM 5) | 15.00 | 16.50 |
| SM 10 | CLUTCH LEVER ASSEMBLY, suit SOFT CLUTCH, LEFT OR RIGHT HAND | 450.00 | 495.00 |
| SM 10TS | SPRING, TENSION, suit SOFT CLUTCH LEVER | 25.00 | 27.50 |
| SM 10EB-70 | EXTENSION BRACKET , 70mm OFFSET, suit SOFT CLUTCH LEVER ASSY | 60.00 | 66.00 |
| SM 10EB-100 | EXTENSION BRACKET , 100mm OFFSET, suit SOFT CLUTCH LEVER ASSY | 60.00 | 66.00 |
| SM 11 | CABLE KIT inc PULLEY, suit SOFT CLUTCH | 195.00 | 214.50 |
| SM 11D | FLOOR ANCHOR MOUNT KIT, suit SOFT CLUTCH | 50.00 | 55.00 |
| SM 12 | CLUTCH & PRESSURE PLATE KIT inc BEARING, suit SOFT CLUTCH | 385.00 | 423.50 |
| SM 12TB | THRUST BEARING, CLUTCH RELEASE, suit SOFT CLUTCH | 65.00 | 71.50 |
| SM 13 | SPIGOT BUSH, suit SOFT CLUTCH, CHEV & HOLDEN V8 | 35.00 | 38.50 |
| SM 13-LS1 | SPIGOT BUSH, suit SOFT CLUTCH, LS1 & GEN III ENGINES | 50.00 | 55.00 |
| SM 13-351 | SPIGOT BUSH, suit SOFT CLUTCH, FORD V8 ENGINES | 35.00 | 38.50 |
| SM 35 | 1300 SERIES DRIVE ADAPTOR - V-DRIVE / SOFT CLUTCH | 250.00 | 275.00 |
| SM 35A | 1400 SERIES DRIVE ADAPTOR - V-DRIVE / SOFT CLUTCH | 250.00 | 275.00 |
| SC 5 | SEAL 1 1/4"ID x 2 1/2"OD x 3/8" WIDE, suit DOG CLUTCH and SOFT CLUTCH | 15.00 | 16.50 |
| SC 6A | BEARING 6207 - 2RSR SINGLE ROW, suit SOFT CLUTCH | 25.00 | 27.50 |
| SC-25 | CIRCLIP, MAIN SHAFT | 6.00 | 6.60 |

F / N / R BORG WARNER / Z.F. SPARE PARTS

| PART NUMBER | DESCRIPTION | LIST PRICE | PRICE INC GST | DISC |
|-----------------|---|------------|---------------|------|
| ZF45C | TRANSMISSION, ZF HURTH, FORWARD / NEUTRAL / REVERSE | P.O.A. | P.O.A. | S |
| BW 1 | TRANSMISSION, BORG WARNER, F / N / R | P.O.A. | P.O.A. | S |
| BW 2 | DRIVE PLATE (FLEX PLATE), suit F / N / R TRANSMISSION (ALL) | 395.00 | 434.50 | S |
| BW 3 | OIL COOLER, suit F / N / R TRANSMISSION (ALL) | 350.00 | 385.00 | S |
| BW 4 | HOSE KIT, OIL COOLER suit BORG WARNER, F / N / R TRANSMISSION | 120.00 | 132.00 | |
| ZF 4 | HOSE KIT, OIL COOLER suit ZF, F / N / R TRANSMISSION | 120.00 | 132.00 | |
| BW 5 | BRACKET & CLAMP COOLER/SELECTOR CABLE, suit BORG WARNER | 85.00 | 93.50 | |
| ZF 5 | BRACKET, OIL COOLER suit ZF, F / N / R TRANSMISSION | 65.00 | 71.50 | |
| BW 6 | STUD KIT, GEARBOX TO HOUSING suit BORG WARNER | 45.00 | 49.50 | |
| ZF 6 | STUD KIT, GEARBOX TO HOUSING suit ZF | 45.00 | 49.50 | |
| BW 7 | LEVER, SHIFT, suit F / N / R TRANSMISSION | 295.00 | 324.50 | S |
| BW 8 | CLAMP, RUBBER LINED SUIT OIL COOLER | 10.00 | 11.00 | S |
| SC 10BWS-1 | COUPLING, PROPELLER SHAFT, 1", suit BORG WARNER / ZF TRANSMISSION, SPLIT TYPE | 175.00 | 192.50 | |
| SC 10BWS-1 1/8" | COUPLING, PROPELLER SHAFT, 1 1/8", suit BORG WARNER / ZF TRANSMISSION, SPLIT TYPE | 175.00 | 192.50 | |

FOR F / N / R HOUSINGS, REFER TO APPLICABLE ENGINE CONVERSION SECTION



KINCAID MARINE ROLCO

Phone: (03) 9308 0922 Mobile: 0428 627 463
 Email: orders@kmrolco.com Website: www.kmrolco.com

COUPLINGS AND DRIVE ADAPTORS

| PART NUMBER | DESCRIPTION | LIST PRICE | PRICE INC GST |
|---|---|------------|---------------|
| PROP SHAFT COUPLINGS | | | |
| SC 10-1 | COUPLING, PROPELLER SHAFT, 1" (EARLY LARGE FLANGE) suit ROLCO / TAWCO / KINCAID DOG CLUTCHES | 175.00 | 192.50 |
| SC 10-7/8 | COUPLING, PROPELLER SHAFT 7/8" (EARLY LARGE FLANGE) suit ROLCO / TAWCO / KINCAID DOG CLUTCHES | 175.00 | 192.50 |
| SC 10BWS-1 | COUPLING, PROPELLER SHAFT, 1", suit BORG WARNER / ZF TRANSMISSION, SPLIT TYPE | 175.00 | 192.50 |
| SC 10BWS-1 1/8 | COUPLING, PROPELLER SHAFT, 1 1/8", suit BORG WARNER / ZF TRANSMISSION, SPLIT TYPE | 175.00 | 192.50 |
| SC 10S | COUPLING, PROPELLER SHAFT, <u>SPLIT</u> , 1" suit ROLCO / M.C.E. | 175.00 | 192.50 |
| SC 10S-7/8 | COUPLING, PROPELLER SHAFT, <u>SPLIT</u> , 7/8" suit ROLCO / M.C.E. | 175.00 | 192.50 |
| SC 10S-1 1/8 | COUPLING, PROPELLER SHAFT, <u>SPLIT</u> , 1 1/8" suit ROLCO / M.C.E. | 175.00 | 192.50 |
| SC 10S-TW | COUPLING, PROPELLER SHAFT, <u>SPLIT</u> , 1" suit TAWCO | 175.00 | 192.50 |
| SC 10S-7/8TW | COUPLING, PROPELLER SHAFT, <u>SPLIT</u> , 7/8" suit TAWCO | 175.00 | 192.50 |
| SC 10-1300 | COUPLING, PROPELLER SHAFT, 1" (EARLY LARGE FLANGE) suit GILFLIGHT / SUPACHEV SOFT CLUTCHES (RECTANGULAR BOLT PATTERN) | 175.00 | 192.50 |
| SC 11 | BOLT KIT suit SC 10 | 25.00 | 27.50 |
| SC 11S | BOLT KIT suit SC 10S | 25.00 | 27.50 |
| DRIVE ADAPTORS, FLYWHEEL suit V-DRIVE OR JET DRIVE | | | |
| 289-35 USE 351-35 | DRIVE ADAPTOR - FLYWHEEL 1310 SERIES | 250.00 | 275.00 |
| 289-35A USE 351-35A | DRIVE ADAPTOR - FLYWHEEL 1410 SERIES | 250.00 | 275.00 |
| 308-35 | DRIVE ADAPTOR - FLYWHEEL 1310 SERIES | 250.00 | 275.00 |
| 308-35A | DRIVE ADAPTOR - FLYWHEEL 1410 SERIES | 250.00 | 275.00 |
| 350-35 | DRIVE ADAPTOR - FLYWHEEL 1310 SERIES | 250.00 | 275.00 |
| 350-35A | DRIVE ADAPTOR - FLYWHEEL 1410 SERIES | 250.00 | 275.00 |
| 350-35-LM | DRIVE ADAPTOR - FLYWHEEL 1310 SERIES suit LATE MODEL | 250.00 | 275.00 |
| 350-35ALM | DRIVE ADAPTOR - FLYWHEEL 1410 SERIES suit LATE MODEL | 250.00 | 275.00 |
| LS1-35 | DRIVE ADAPTOR - FLYWHEEL 1310 SERIES suit GEN III | 295.00 | 324.50 |
| LS1-35A | DRIVE ADAPTOR - FLYWHEEL 1410 SERIES suit GEN III | 295.00 | 324.50 |
| LSA-35A | DRIVE ADAPTOR - FLYWHEEL 1410 SERIES 8,BOLT suit GEN III | 350.00 | 385.00 |
| 351-35 | DRIVE ADAPTOR - FLYWHEEL 1310 SERIES | 250.00 | 275.00 |
| 351-35A | DRIVE ADAPTOR - FLYWHEEL 1410 SERIES | 250.00 | 275.00 |
| SM 35 | 1310 SERIES DRIVE ADAPTOR - V-DRIVE / SOFT CLUTCH | 250.00 | 275.00 |
| SM 35A | 1410 SERIES DRIVE ADAPTOR - V-DRIVE / SOFT CLUTCH | 250.00 | 275.00 |

ENGINE BEARER MOUNTS, ADJUSTABLE

| PART NUMBER | DESCRIPTION | LIST PRICE | PRICE INC GST |
|-------------|--|------------|---------------|
| ADJ 15-1 | ADJUSTABLE ENGINE BEARER MOUNTS, CENTRE MOUNT suit 6" BEARER | 295.00 | 324.50 |
| ADJ 15-2 | ADJUSTABLE ENGINE BEARER MOUNTS, CENTRE MOUNT suit 5" BEARER | 295.00 | 324.50 |
| ADJ 15-3 | ADJUSTABLE ENGINE BEARER MOUNTS, V-DRIVE suit 6" BEARER | 295.00 | 324.50 |
| ADJ 15-B | BEARER BRACKET State Type ADJ - 1, 2, 3 or 4 | 75.00 | 82.50 |
| ADJ 15-S | BRACKET, ADJUSTER, SLIDING | 45.00 | 49.50 |



KINCAID MARINE ROLCO

Phone: (03) 9308 0922 Mobile: 0428 627 463
 Email: orders@kmrolco.com Website: www.kmrolco.com

EXHAUST MANIFOLDS – MISCELLANEOUS

| PART NUMBER | DESCRIPTION | QTY | LIST PRICE | PRICE INC GST |
|---------------------------------------|--|------|------------|---------------|
| LEXUS 4.0 LT V8 | | | | |
| LEX-23S | MANIFOLDS, EXHAUST- LEXUS | PAIR | 1250.00 | 1,375.00 |
| HOLDEN 5.0 LT EFI V8 | | | | |
| 5.0-23S | MANIFOLDS, EXHAUST 5.0LT HOLDEN V8 EFI | PAIR | 1,500.00 | 1,650.00 |
| 5.0-23-B | GASKETS, EXHAUST MANIFOLD | PAIR | 35.00 | 38.50 |
| P76 LEYLAND V8 | | | | |
| P76-23S | MANIFOLDS, EXHAUST | PAIR | 1250.00 | 1375.50 |
| P76-23-B | GASKETS, EXHAUST MANIFOLD | PAIR | 35.00 | 38.50 |
| P76-23S-SK | STUD, NUT & WASHER KIT | | 65.00 | 71.50 |
| CHRYSLER 318 V8 | | | | |
| 318-23S | MANIFOLDS, EXHAUST | PAIR | 1,500.00 | 1,650.00 |
| 318-23-B | GASKETS, EXHAUST MANIFOLD | PAIR | 35.00 | 38.50 |
| 318-23S-SK | STUD, NUT & WASHER KIT | | 65.00 | 71.50 |
| CHRYSLER 180 6 CYL STERN DRIVE | | | | |
| 180-23 | MANIFOLD, EXHAUST | | 1,500.00 | 1,650.00 |
| 180-23-B | GASKET, EXHAUST MANIFOLD | | 35.00 | 38.50 |
| CHRYSLER 265 HEMI 6 CYL | | | | |
| 265-23 | MANIFOLD, EXHAUST - TRIPLE OUTLET | | 1,500.00 | 1,650.00 |
| 265-23-B | GASKET, EXHAUST MANIFOLD | | 35.00 | 38.50 |

ABOVE ITEMS MAY BE SUBJECT TO A SIX (6) WEEK DELIVERY TIME



KINCAID MARINE ROLCO

Phone: (03) 9308 0922 Mobile: 0428 627 463
 Email: orders@kmrolco.com Website: www.kmrolco.com

EXHAUST MANIFOLD ACCESSORIES

| PART NUMBER | DESCRIPTION | QTY | LIST PRICE | PRICE INC GST |
|-------------|---|------|------------|---------------|
| MF 1 | FLANGE, EXHAUST MANIFOLD, 2½" suit ROLCO, 4 BOLT SQUARE SS | EACH | 45.00 | 49.50 |
| MF 1M | FLANGE, EXHAUST MANIFOLD, 2½" suit M.C.E., 4 BOLT ROUND SS | EACH | 45.00 | 49.50 |
| MF 1T | FLANGE, EXHAUST MANIFOLD, 2½" suit TAWCO, 3 BOLT ROUND SS | EACH | 45.00 | 49.50 |
| MF 2 | GASKET, EXHAUST FLANGE, 2½" suit ROLCO, 4 BOLT SQUARE | EACH | 7.00 | 7.70 |
| MF 2M | GASKET, EXHAUST FLANGE, 2½" suit M.C.E., 4 BOLT ROUND | EACH | 7.00 | 7.70 |
| MF 2T | GASKET, EXHAUST FLANGE, 2½" suit TAWCO, 3 BOLT ROUND | EACH | 7.00 | 7.70 |
| MF 3 | BLANK OFF PLATE, EXHAUST MANIFOLD AL | EACH | 20.00 | 22.00 |
| MF 4 | FLANGE, EXHAUST MANIFOLD 3" suit 454 SS | EACH | 60.00 | 66.00 |
| MF 5 | GASKET, FLANGE 3" suit 454 | EACH | 12.00 | 13.20 |
| MF 6R | RISER – EXHAUST, 6" WATER COOLED AL | PAIR | 1,250.00 | 1,375.00 |
| MF 10R | RISER – EXHAUST, 10" WATER COOLED 3" suit 454 AL | PAIR | 1250.00 | 1,375.50 |
| MF 7 | HOSE EXTENSION, STRAIGHT 2½" AL | EACH | 35.00 | 38.50 |
| MF 7-45 | HOSE EXTENSION, 45° 2½" AL | EACH | 55.00 | 60.50 |
| MF 7-90 | HOSE EXTENSION, 90° 2½" AL | EACH | 55.00 | 60.50 |
| MF 8 | RISER – EXHAUST, 90° suit 250 XF-23S AL | EACH | 395.00 | 434.50 |
| MF 9 | CLAMPS suit EXHAUST BENDS & RISERS AL | PAIR | 20.00 | 22.00 |
| MF 45B | EXHAUST BEND, 45° WATER COOLED suit 2½" HOSE AL | PAIR | 275.00 | 302.50 |
| MF 65-AL | EXHAUST "S" BENDS, 2½" AL | PAIR | 275.00 | 302.50 |

SILENCERS (MUFFLERS)

| PART NUMBER | DESCRIPTION | QTY | LIST PRICE | PRICE INC GST |
|-------------|--|------|------------|---------------|
| ES-2½ | SILENCER INLINE 2½" AL | PAIR | 250.00 | 275.00 |
| ES-3 | SILENCER INLINE 2½", 3", 3½" WITH BALANCE PIPE AL Suit 2½", 3" or 3½" HOSE. CAN BE USED TO ADAPT FROM ONE HOSE SIZE TO ANOTHER. SUITABLE FOR WHEN YOU CANNOT FIT 3 ½" EXHAUST OUTLETS TO BOAT. e.g. MERCUISER OR INDMAR WITH 3½" EXHAUST HOSE. | PAIR | 350.00 | 385.00 |
| ES4 | ADAPTOR 4" 31/2" 3" 21/2" | EACH | 90.00 | 99.00 |



KINCAID MARINE ROLCO

Phone: (03) 9308 0922 Mobile: 0428 627 463
 Email: orders@kmrolco.com Website: www.kmrolco.com

EXHAUST OUTLETS

| PART NUMBER | DESCRIPTION | QTY | LIST PRICE | PRICE INC GST | DISC |
|------------------------|--|------|------------|---------------|------|
| EXHAUST OUTLETS | | | | | |
| EFC 2•5 / 3 | EX. OUTLET FLARED 2½" or 3" 90° TRANSOM with FLAP, Polished | PAIR | 250.00 | 275.00 | |
| EFC 2•5 / 3A | EX. OUTLET FLARED 2½" or 3" ANGLE TRANSOM with FLAP, Pol. | PAIR | 270.00 | 297.00 | |
| EFC 3•5 | EX. OUTLET FLARED 3½" 90° TRANSOM with FLAP, Polished | PAIR | 290.00 | 319.00 | |
| EFC 2•5 / 3 – EX8 | EX. OUTLET 2½" or 3" x 8" LONG EXTENDED WITH FLAP Suit 90° TRANSOM (Polished) | PAIR | 350.00 | 385.00 | |
| EFC 2•5 / 3A – EX8 | EX. OUTLET 2½" or 3" x 8" LONG EXTENDED WITH FLAP Suit ANGLE TRANSOM (Polished) | PAIR | 370.00 | 407.00 | |
| EFC 3.5 – EX8 | EX. OUTLET 3½" x 8" LONG EXTENDED WITH FLAP Suit 90° TRANSOM (Polished) | PAIR | 395.00 | 434.50 | |

EXHAUST FLAPS & SPARE PARTS

| PART NUMBER | DESCRIPTION | QTY | LIST PRICE | PRICE INC GST | DISC |
|-------------|---|------|------------|---------------|------|
| EFC 2•5 R | RUBBER FLAP, FLAT suit 2½" & 3" HOSE, FLARED OUTLETS | EACH | 10.00 | 11.00 | |
| EFC F3-4 | FLAPPER KIT, FLAT, inc Half-moon, Flap & Screws suit EFC EX. OUTLETS | KIT | 20.00 | 22.00 | |
| EFC 2•5 P | RETAINING PLATE, HALFMOON (SPECIFY SIZE AND TYPE) | EACH | 10.00 | 11.00 | |
| EFC 3•5 R | RUBBER FLAP, FLAT, LARGE suit 3½" HOSE, FLARED OUTLETS | EACH | 15.00 | 16.50 | |
| EF 2½ R | RUBBER FLAP – KMR MOULDED FLAP ALSO SUIT EMCO | EACH | 20.00 | 22.00 | |
| EF 6080 | CLAMP ON RUBBER FLAP, 60 - 80mm | EACH | 25.00 | 27.50 | |
| SSC 80 WD | HOSE CLAMP, suit 60 - 80mm CLAMP ON FLAP | EACH | 6.00 | 6.60 | |
| EF 80105 | CLAMP ON RUBBER FLAP, 80 - 105mm suit SKI NAUTIQUE | EACH | 50.00 | 55.00 | |
| EF 2½ CF-K | CHROME FLAPPER KIT 2½" inc NYLON BLOCK | EACH | 150.00 | 165.00 | |
| EF 2½ F3-K | RUBBER FLAP suit EF 2½ CF-K | EACH | 10.00 | 11.00 | |
| EF 2½ F2-K | NYLON BLOCK suit EF 2½ CF-K | EACH | 18.00 | 19.80 | |

EXHAUST HOSE, TUBE & CLAMPS

| PART NUMBER | DESCRIPTION | QTY | LIST PRICE | PRICE INC GST | DISC |
|-------------|---|------|------------|---------------|------|
| EX-CK 2•5 | CONNECTION KIT, 2½" (4 HOSES, 8 CLAMPS) | | 125.00 | 137.50 | S |
| EXH R 2•5 | HOSE, EXHAUST, 2½" ID WIRE REINFORCED (HUMP BACK) | P/M | 120.00 | 132.00 | S |
| EXH NR 2•5 | HOSE, EXHAUST, 2½" ID NON WIRE REINFORCED | P/M | 75.00 | 82.50 | S |
| EXH R 3 | HOSE, EXHAUST, 3" ID WIRE REINFORCED (HUMP BACK) | P/M | 130.00 | 143.00 | S |
| EXH NR 3 | HOSE, EXHAUST, 3" ID NON WIRE REINFORCED | P/M | 85.00 | 93.50 | S |
| EXH R 3•5 | HOSE, EXHAUST, 3½" ID WIRE REINFORCED (HUMP BACK) | P/M | 150.00 | 165.00 | S |
| EXH NR 3.5 | HOSE, EXHAUST, 3½" ID NON WIRE REINFORCED | P/M | 100.00 | 110.00 | S |
| SSC 80 WD | HOSE CLAMP 60 - 80mm 2½" HOSE SS | EACH | 6.00 | 6.60 | S |
| SSC 80 SC | HOSE CLAMP, BOLT TYPE suit 2½" HUMP BACK HOSE | EACH | 18.00 | 19.80 | S |
| SSC 90 SC | HOSE CLAMP, BOLT TYPE suit 3" HUMP BACK HOSE | EACH | 20.00 | 22.00 | S |
| SSC 100 SC | HOSE CLAMP, BOLT TYPE suit 3½" HUMP BACK HOSE | EACH | 22.00 | 24.20 | S |



KINCAID MARINE ROLCO

Phone: (03) 9308 0922 Mobile: 0428 627 463
Email: orders@kmrolco.com Website: www.kmrolco.com

THERMOSTAT CONTROL SPARE PARTS

| PART NUMBER | DESCRIPTION | LIST PRICE | PRICE INC GST |
|-------------|---|------------|---------------|
| TC-18-160T | THERMOSTAT 160°, STAINLESS STEEL | 30.00 | 33.00 |
| TC-18-S | SPRING, THERMO CONTROL STAINLESS STEEL | 15.00 | 16.50 |
| TC-18-SRC | CIRCLIP, SPRING RETAINING STAINLESS STEEL | 5.00 | 5.50 |
| TC-18-SRW | WASHER, SPRING RETAINER STAINLESS STEEL | 2.00 | 2.20 |
| TC-18-V | VALVE, THERMO CONTROL | 25.00 | 27.50 |

OIL FILTER TAKEOFFS / COOLER ADAPTORS / REMOTE MOUNTS

| PART NUMBER | DESCRIPTION | LIST PRICE | PRICE INC GST |
|-------------|--|------------|---------------|
| OF 1B | OIL FILTER RELOCATION TAKEOFF CHEV.BB | 120.00 | 132.00 |
| OF 1C | OIL FILTER RELOCATION TAKEOFF CHEV.SB | 120.00 | 132.00 |
| OF 1F | OIL FILTER RELOCATION TAKEOFF FORD | 120.00 | 132.00 |
| OF 1H | OIL FILTER RELOCATION TAKEOFF HOLDEN AND LS1 | 120.00 | 132.00 |
| OF 2F | REMOTE FILTER MOUNT FORD | 70.00 | 77.00 |
| OF 2H | REMOTE FILTER MOUNT CHEV / HOLDEN | 70.00 | 77.00 |
| OF 3B | OIL TAKEOFF TO COOLER CHEV.BB | 120.00 | 132.00 |
| OF 3C | OIL TAKEOFF TO COOLER CHEV.SB | 120.00 | 132.00 |
| OF 3F | OIL TAKEOFF TO COOLER FORD | 120.00 | 132.00 |
| OF 3H | OIL TAKEOFF TO COOLER HOLDEN AND LS1 | 120.00 | 132.00 |
| OF OR | 'O' RING suit OF 1B/C & OF 3B/C | 8.00 | 8.80 |
| OF SR | 'O' RING suit OF 1F/H & OF 3F/H | 9.00 | 9.90 |
| OF TN | TUBE NUTS Z/P state model number on ordering | 75.00 | 82.50 |

SAND TRAP (Sand Filter suit Jet Drive)

| PART NUMBER | DESCRIPTION | LIST PRICE | PRICE INC GST |
|-------------|-----------------------|------------|---------------|
| ST 1 | SAND TRAP ASSEMBLY | 250.00 | 275.00 |
| ST 1-C | BALL VALVE, SAND TRAP | 29.00 | 31.90 |
| ST 1-G | GLASS, SAND TRAP | 60.00 | 66.00 |
| ST 1-OR | 'O' RING, SAND TRAP | 9.00 | 9.90 |



KINCAID MARINE ROLCO

Phone: (03) 9308 0922 Mobile: 0428 627 463
 Email: orders@kmrolco.com Website: www.kmrolco.com

WATER PUMPS

| PART NUMBER | DESCRIPTION | LIST PRICE | PRICE INC GST | DISC |
|-----------------------------|---|------------|---------------|------|
| JOHNSON OR JABSCO | | | | |
| F5 B8 | WATER PUMP, 3/4" BALL BEARING | 595.00 | 654.50 | S |
| F6 B9 | WATER PUMP, 3/4" BALL BEARING, CRANK DRIVEN, suit GEN III and INDMAR ENGINES (MALIBU BOATS) | 595.00 | 654.50 | S |
| FYNSPRAY | | | | |
| WS 35 | WATER PUMP, 3/8" PLAIN BEARING | 580.00 | 638.00 | S |
| WS 36 | WATER PUMP, 1/2" PLAIN BEARING | 580.00 | 638.00 | S |
| WS 37 | WATER PUMP, 3/4" PLAIN BEARING replaces JD 3/4" | 580.00 | 638.00 | S |
| ARGO | | | | |
| ARGO-WP | ARGO CAMSHAFT DRIVE WATER PUMP, CHROME | 750.00 | 825.00 | S |
| ARGO-WP-HF | ARGO CAMSHAFT DRIVE WATER PUMP, HIGH FLOW 1" BSP PORTS | 850.00 | 935.00 | S |
| MERCUISER | | | | |
| MERC-WP-B | BRASS BODY, WATER PUMP, COMPLETE PUMP ASSEMBLY, REPLACES PLASTIC BODY TYPE | 495.00 | 544.50 | S |
| CAM DRIVE WATER PUMP | | | | |
| WP-CAM | CAM DRIVE WATER PUMP | 450.00 | 495.00 | S |
| 350-21-TC | TIMING COVER suit CAM DRIVE PUMP S/B/C (POLISHED) | 450.00 | 495.00 | S |

WATERPUMP SPARE PARTS

| PART NUMBER | DESCRIPTION | LIST PRICE | PRICE INC GST | DISC |
|-----------------|---|------------|---------------|------|
| JON-S1 | SEAL suit JOHNSON F5 B8 PUMP | 10.00 | 11.00 | S |
| JAB-S1 | SEAL suit JABSCO 6490-2901 PUMP | 10.00 | 11.00 | S |
| WPG | GASKETS, BACKING PLATE (SPECIFY PUMP TYPE) | 10.00 | 11.00 | S |
| 3791-P | SEAL PACKING JD 3/4" JABSCO PUMP (ROUND BUSH) | 75.00 | 82.50 | S |
| FYNSPRAY | | | | |
| WS 37/1 | SHAFT & KEY | 75.00 | 82.50 | S |
| WS 37/2 | GLAND NUT | 75.00 | 82.50 | S |
| WS 37/3 | LOCK NUT | 20.00 | 22.00 | S |
| WS 37/5 | GREASE CAP ASSEMBLY | 50.00 | 55.00 | S |
| WS 37/8 | BRASS KEY | 12.00 | 13.20 | S |
| WS 37/9 | SEAL PACKING (ROPE TYPE) suit FYNSPRAY PUMPS | 15.00 | 16.50 | S |
| WS 37/10 | GASKET | 10.00 | 11.00 | S |
| WS 37/11 | SCREWS, BACKING PLATE | 2.00 | 2.20 | S |

PULLEYS

| PART NUMBER | DESCRIPTION | LIST PRICE | PRICE INC GST |
|-------------|---|------------|---------------|
| PLY 5-5/8 | PULLEY 5" x 5/8" BORE | 75.00 | 82.50 |
| PLY 5-5/8C | PULLEY 5" x 5/8" BORE, COUNTERBORED suit DOG CLUTCH | 95.00 | 104.50 |
| PLY 5-17 | PULLEY 5" DIA x 17mm BORE | 75.00 | 82.50 |
| PLY 6-17 | PULLEY 6" DIA x 17mm BORE | 95.00 | 104.50 |
| PLY 6-5/8 | PULLEY 6" DIA x 5/8" BORE | 95.00 | 104.50 |
| PLY 120-OF | PULLEY DISHED 17MM BORE suit JOHNSON F5 B8 | 95.00 | 104.50 |
| PLY-MERC | PULLEY, SUIT MERCUISER BRASS BODY PUMP 6PK BELT | 150.00 | 165.00 |

VEE BELTS

Refer to Applicable Engine Spare Parts Section for sizes and part numbers.



KINCAID MARINE ROLCO

Phone: (03) 9308 0922 Mobile: 0428 627 463
 Email: orders@kmrolco.com Website: www.kmrolco.com

IMPELLERS

| PART NUMBER | DESCRIPTION | LIST PRICE | PRICE INC GST | DISC | |
|--|---|------------------|---------------|--------|---|
| FYNSPRAY | | | | | |
| WB 77B | IMPELLER, 3/8" PLAIN BEARING, 2 PINS | 75.00 | 82.50 | S | |
| WB 78C | IMPELLER, 1/2" PLAIN BEARING, KEY (Interchanges with 4568-0001 JABSCO) | 75.00 | 82.50 | S | |
| WB 79B | IMPELLER, 3/4" PLAIN BEARING PUMP, KEY (Interchanges with 4598-0001/ JD 3/4" PUMP) | 75.00 | 82.50 | S | |
| WB 2674 | IMPELLER, suit 1/2" & 3/4" BALL BEARING PUMPS (DOUBLE FLAT) | 105.00 | 115.50 | S | |
| JABSCO | | | | | |
| 18673-0001 | IMPELLER, 3/8" JABSCO PLAIN BEARING, PIN | 75.00 | 82.50 | S | |
| 4568-0001 | IMPELLER, 1/2" PLAIN BEARING, KEY (Interchanges with WB 78c / 1/2" FYNSPRAY PUMP) | 75.00 | 82.50 | S | |
| 4598-0001 | IMPELLER, JD 3/4" (Interchanges with WB 79B / 3/4" FYNSPRAY PUMP) RECOMMENDED FOR USE IN ARGO CAMSHAFT DRIVE PUMPS | 150.00 | 165.00 | S | |
| 1210-0001 | IMPELLER, 1/2" BALL BEARING PUMP, SPLINE (Interchanges with 1027B JOHNSON) | 75.00 | 82.50 | S | |
| JOHNSON | | | | | |
| 1027B | IMPELLER, 3/4" BALL BEARING PUMP, SPLINE (Interchanges with 1210-0001 JABSCO) | 75.00 | 82.50 | S | |
| MERCUISER | | | | | |
| 47 59362T 1 | IMPELLER ONLY | 95.00 | 104.50 | S | |
| 46 807151A14 | IMPELLER & PUMP BODY KIT | 230.00 | 253.00 | S | |
| 47 862232A 2 | IMPELLER ONLY suit BRASS BODY PUMP DOUBLE FLAT | 95.00 | 104.50 | S | |
| INDMAR/MALIBU/MASTERCRAFT/SUPRA/GEN III | | | | | |
| 09-812B | IMPELLER suit F6B-9 INDMAR/MALIBU, GEN III SPLINE | 95.00 | 104.50 | S | |
| NEOVANE | | | | | |
| NEO-S | TAPERED IMPELLER with PIN, SMALL PUMPS V-505 / V-755 / H-500 / V-750 | suit SMALL BLOCK | 120.00 | 132.00 | S |
| NEO-L | TAPERED IMPELLER with PIN, LARGE PUMPS V-105 | suit BIG BLOCK | 150.00 | 165.00 | S |



KINCAID MARINE ROLCO

Phone: (03) 9308 0922 Mobile: 0428 627 463
 Email: orders@kmrolco.com Website: www.kmrolco.com

SUMP DRAIN & TAP

| PART NUMBER | DESCRIPTION | LIST PRICE | PRICE INC GST | DISC |
|-------------|--|------------|---------------|------|
| SDT 1 | SUMP DRAIN TAP 1/2" UNF suit EARLY CHEV & HOLDEN V8 | 75.00 | 82.50 | |
| SDT 2 | SUMP DRAIN TAP 12mm METRIC suit V6, CHEV VORTEC, GEN III | 75.00 | 82.50 | |
| OPA 18 | OIL PRESSURE ADAPTOR 1/8" suit S/B CHEV | 15.00 | 16.50 | |

PLUMBING FITTINGS

| PART NUMBER | DESCRIPTION | QTY | LIST PRICE | PRICE INC GST |
|---------------------------------|--|-----|------------|---------------|
| SKIN FITTINGS | | | | |
| SF 2P | SKIN FITTING 1/2"m x 3/4"h CHROME | | 35.00 | 38.50 |
| HEATER HOSE & CLAMPS | | | | |
| RH 12M | HOSE 1/2" BLACK RUBBER | P/M | 7.50 | 8.25 |
| RH 19M | HOSE 3/4" CLEAR WIRE REINFORCED | P/M | 15.00 | 16.50 |
| RH 32M | HOSE 1 1/4" CLEAR WIRE REINFORCED | P/M | 18.00 | 19.80 |
| HC 010 | 1/2" HOSE CLAMPS suit RH 12M SS | | 3.00 | 3.30 |
| HC 016 | 3/4" HOSE CLAMPS suit RH 19M SS | | 5.00 | 5.50 |
| HOSE BARBS - STRAIGHT | | | | |
| HM 7 | BARB 1/4"m x 5/16"h BRASS | | 10.00 | 11.00 |
| HM 8 | BARB 1/4"m x 3/8"h BRASS | | 10.00 | 11.00 |
| HM 9 | BARB 1/4"m x 1/2"h BRASS | | 12.00 | 13.20 |
| HM 9P | BARB 1/4"m x 1/2"h CHROME | | 15.00 | 16.50 |
| HM 12 | BARB 3/8"m x 5/16"h BRASS | | 15.00 | 16.50 |
| HM 13 | BARB 3/8"m x 3/8"h BRASS | | 15.00 | 16.50 |
| HM 13P | BARB 3/8"m x 3/8"h CHROME | | 17.00 | 18.70 |
| HM 14P | BARB 3/8"m x 1/2"h CHROME | | 17.00 | 18.70 |
| HM 19P | BARB 1/2"m x 3/8"h CHROME | | 17.00 | 18.70 |
| HM 20P | BARB 1/2"m x 1/2"h CHROME | | 17.00 | 18.70 |
| HM 21P | BARB 1/2"m x 5/8"h CHROME | | 17.00 | 18.70 |
| HM 22P | BARB 1/2"m x 3/4"h CHROME | | 18.00 | 19.80 |
| HM 23P | BARB 3/4"m x 1/2"h CHROME | | 18.00 | 19.80 |
| HM 25P | BARB 3/4"m x 3/4"h CHROME | | 20.00 | 22.00 |
| HM 26P | BARB 3/4"m x 1"h CHROME | | 25.00 | 27.50 |
| ELBOWS - 90° | | | | |
| HEM 11 | ELBOW 1/4"m x 5/16"h BRASS | | 15.00 | 16.50 |
| HEM 12 | ELBOW 1/4"m x 3/8"h BRASS | | 15.00 | 16.50 |
| HEM 1 | ELBOW 1/4"m x 1/2"h BRASS | | 15.00 | 16.50 |
| HEM 1P | ELBOW 1/4"m x 1/2"h CHROME | | 15.00 | 16.50 |
| HEM 1.5 | ELBOW 3/8"m x 5/16"h BRASS | | 15.00 | 16.50 |
| HEM 2 | ELBOW 3/8"m x 3/8"h BRASS | | 15.00 | 16.50 |
| HEM 3P | ELBOW 3/8"m x 1/2"h CHROME | | 15.00 | 16.50 |
| HEM 5P | ELBOW 1/2"m x 1/2"h CHROME | | 18.00 | 19.80 |
| HEM 6P | ELBOW 1/2"m x 3/8"h CHROME | | 18.00 | 19.80 |
| HEM 7P | ELBOW 1/2"m x 3/4"h CHROME | | 20.00 | 22.00 |
| HEM 8P | ELBOW 3/4"m x 1/2"h CHROME | | 20.00 | 22.00 |
| HEM 10P | ELBOW 3/4"m x 3/4"h CHROME | | 20.00 | 22.00 |
| HEM 11P | ELBOW 3/4"m x 1"h CHROME | | 25.00 | 27.50 |



KINCAID MARINE ROLCO

Phone: (03) 9308 0922 Mobile: 0428 627 463
 Email: orders@kmrolco.com Website: www.kmrolco.com

PLUMBING FITTINGS

| PART NUMBER | DESCRIPTION | LIST PRICE | PRICE INC GST |
|--------------------------------|--|------------|---------------|
| TEES (PUMP) | | | |
| PT 1P | TEE ½"h x ½"h x ½"m, SHORT suit ½" 6490-2901 JABSCO PUMP CHROME | 30.00 | 33.00 |
| PT 2P | TEE ½"h x ½"h x ¾"m, SHORT suit ¾" F5 B8 JOHNSON PUMP CHROME | 30.00 | 33.00 |
| THERMO CONTROL 90° TEES | | | |
| HT 6P | ½"h x ½"h x ½"m x 90° suit WATER INLET PLATES with THERMO CONTROL CHROME | 30.00 | 33.00 |
| TEES (3 WAY HOSE) | | | |
| HT 0 | TEE ¾"h x ¾"h x ¾"h BRASS | 20.00 | 22.00 |
| HT 1P | TEE ½"h x ½"h x ½" CHROME | 25.00 | 27.50 |
| HT 2 | TEE ¾"h x ¾"h x ¾"h BRASS | 30.00 | 33.00 |
| HEX PLUGS | | | |
| HP 1 | PLUG ⅙"m BRASS | 4.00 | 4.40 |
| HP 1P | PLUG ⅙"m CHROME | 5.00 | 5.50 |
| HP 2 | PLUG ¼"m BRASS | 5.00 | 5.50 |
| HP 2P | PLUG ¼"m CHROME | 10.00 | 11.00 |
| HP 3 | PLUG ⅜"m BRASS | 7.00 | 7.70 |
| HP 3P | PLUG ⅜"m CHROME | 10.00 | 11.00 |
| HP 4 | PLUG ½"m BRASS | 8.00 | 8.80 |
| HP 4P | PLUG ½"m CHROME | 12.00 | 13.20 |
| HP 5 | PLUG ¾"m BRASS | 12.00 | 13.20 |
| HP 5P | PLUG ¾"m CHROME | 15.00 | 16.50 |

Y PIECES

| PART NUMBER | DESCRIPTION | LIST PRICE | PRICE INC GST |
|-------------|------------------------------|------------|---------------|
| YP 1 | "Y" PIECE ¾" x ½" x ½" BRASS | 35.00 | 38.50 |
| YP 2 | "Y" PIECE ¾" x ¾" x ¾" BRASS | 40.00 | 44.00 |

WATER PICKUPS

| PART NUMBER | DESCRIPTION | LIST PRICE | PRICE INC GST |
|-------------|---|------------|---------------|
| WS 2 | WATER PICKUP (Includes Elbow & Hose Barb) suit ¾" HOSE SS | 75.00 | 82.50 |
| WS 5 | WATER PICKUP 1¼" suit MERCUISER & INDMAR SS | 110.00 | 121.00 |
| WS 6 | WATER PICKUP ¾" HIGH PERFORMANCE, 3 BOLT BRASS | 75.00 | 82.50 |
| WS 7 | WATER PICKUP, CAV PLATE MOUNT, suit -10 HOSE SS | 250.00 | 275.00 |



KINCAID MARINE ROLCO

Phone: (03) 9308 0922 Mobile: 0428 627 463
 Email: orders@kmrolco.com Website: www.kmrolco.com

SKEGS

| PART NUMBER | DESCRIPTION | LIST PRICE | PRICE INC GST |
|-----------------------------|--|------------|---------------|
| KINCAID 4 BOLT SKEGS | | | |
| S 7¼-155-4K | SKEG 7¼° 155mm DROP 4 BOLT | 495.00 | 544.50 |
| S 9 -155-4K | SKEG 9° 155mm DROP 4 BOLT | 495.00 | 544.50 |
| S 12 -158-4K | SKEG 12° 158mm DROP 4 BOLT | 495.00 | 544.50 |
| S 14 -160-4K | SKEG 14° 160mm DROP 4 BOLT | 495.00 | 544.50 |
| S 14S-143-4K | SKEG 14°S 143mm DROP 4 BOLT | 495.00 | 544.50 |
| S 15 -163-4K | SKEG 15° 163mm DROP 4 BOLT | 495.00 | 544.50 |
| S 18 -160-4K | SKEG 18° 160mm DROP 4 BOLT | 495.00 | 544.50 |
| KINCAID 6 BOLT SKEGS | | | |
| S 12 -150-6K | SKEG 12° 150mm DROP 6 BOLT | 495.00 | 544.50 |
| S 12 -162-6K | SKEG 12° 162mm DROP 6 BOLT | 495.00 | 544.50 |
| S 14 -163-6K | SKEG 14° 163mm DROP 6 BOLT | 495.00 | 544.50 |
| S 15 -150-6K | SKEG 15° 150mm DROP 6 BOLT | 495.00 | 544.50 |
| ROLCO SKEGS | | | |
| S 14 -145 | SKEG 14° 145mm DROP 4 BOLT | 495.00 | 544.50 |
| S 14 -156 | SKEG 14° 156mm DROP 4 BOLT | 495.00 | 544.50 |
| S 15 -145 | SKEG 15° 145mm DROP 4 BOLT | 495.00 | 544.50 |
| S 15 -156 | SKEG 15° 156mm DROP 4 BOLT | 495.00 | 544.50 |
| S 17 -145 | SKEG 17° 145mm DROP 4 BOLT | 495.00 | 544.50 |
| S 17 -156 | SKEG 17° 156mm DROP 4 BOLT | 495.00 | 544.50 |
| EARLY ROLCO SKEGS | | | |
| S 3 | SKEG 15° 159mm DROP 4 BOLT | 495.00 | 544.50 |
| S 4 | SKEG 12° 162mm DROP 4 BOLT | 495.00 | 544.50 |
| S 5 | SKEG 9° 165mm DROP 4 BOLT | 495.00 | 544.50 |
| S 6 | SKEG INTERMEDIATE (WHIP) | 150.00 | 165.00 |
| FLIGHTCRAFT SKEGS | | | |
| S 15 -FC | SKEG 15° FLIGHTCRAFT 4 BOLT | 495.00 | 544.50 |
| S 17 -FC | SKEG 17° FLIGHTCRAFT 4 BOLT (XLT) | 495.00 | 544.50 |
| S 17 -FC6 | SKEG 17° FLIGHTCRAFT 6 BOLT (XLT) | 750.00 | 825.00 |
| EASYFIT SKEGS | | | |
| S 14 -EF | SKEG 14° - 18° EASY FIT suit STEJCRAFT / SKICRAFT 2 BOLT | 495.00 | 544.50 |
| EMCO SKEGS | | | |
| S 9 | SKEG 9° mm DROP 4 BOLT | 495.00 | 544.50 |
| S 12 | SKEG 12° mm DROP 4 BOLT | 495.00 | 544.50 |
| S 14 | SKEG 14° mm DROP 4 BOLT | 495.00 | 544.50 |
| S 15 | SKEG 15° mm DROP 4 BOLT | 495.00 | 544.50 |
| S 16 | SKEG 16° mm DROP 4 BOLT suit CAMERO PINTARA AND LEWIS | 495.00 | 544.50 |
| S 17 | SKEG 17° mm DROP 4 BOLT suit SLEEKLINE | 495.00 | 544.50 |
| S 18 | SKEG 18° mm DROP 4 BOLT suit HALLETT AND STEJCRAFT | 495.00 | 544.50 |
| CAMERO LEGEND SKEG | | | |
| SCLS | SKEG suit CAMERO LEGEND | 495.00 | 544.50 |
| RACE SKEGS | | | |
| S 9 -SUP-6 | SKEG 9° SUPERSTON, HEAVY DUTY, RACE, 6 BOLT | 750.00 | 825.00 |
| 6 BOLT SKEGS | | | |
| S-ROL-6-1 | SKEG 14° - 18° 1" 6 BOLT FITTED WITH NITRILE RUBBER BUSH suit ROLCO EVOLUTION | 750.00 | 825.00 |
| S-ROL-6-1½ | SKEG 14° - 18° 1½" 6 BOLT FITTED WITH NITRILE RUBBER BUSH suit ROLCO TSUNAMI Can custom machine to suit most USA boats | 750.00 | 825.00 |

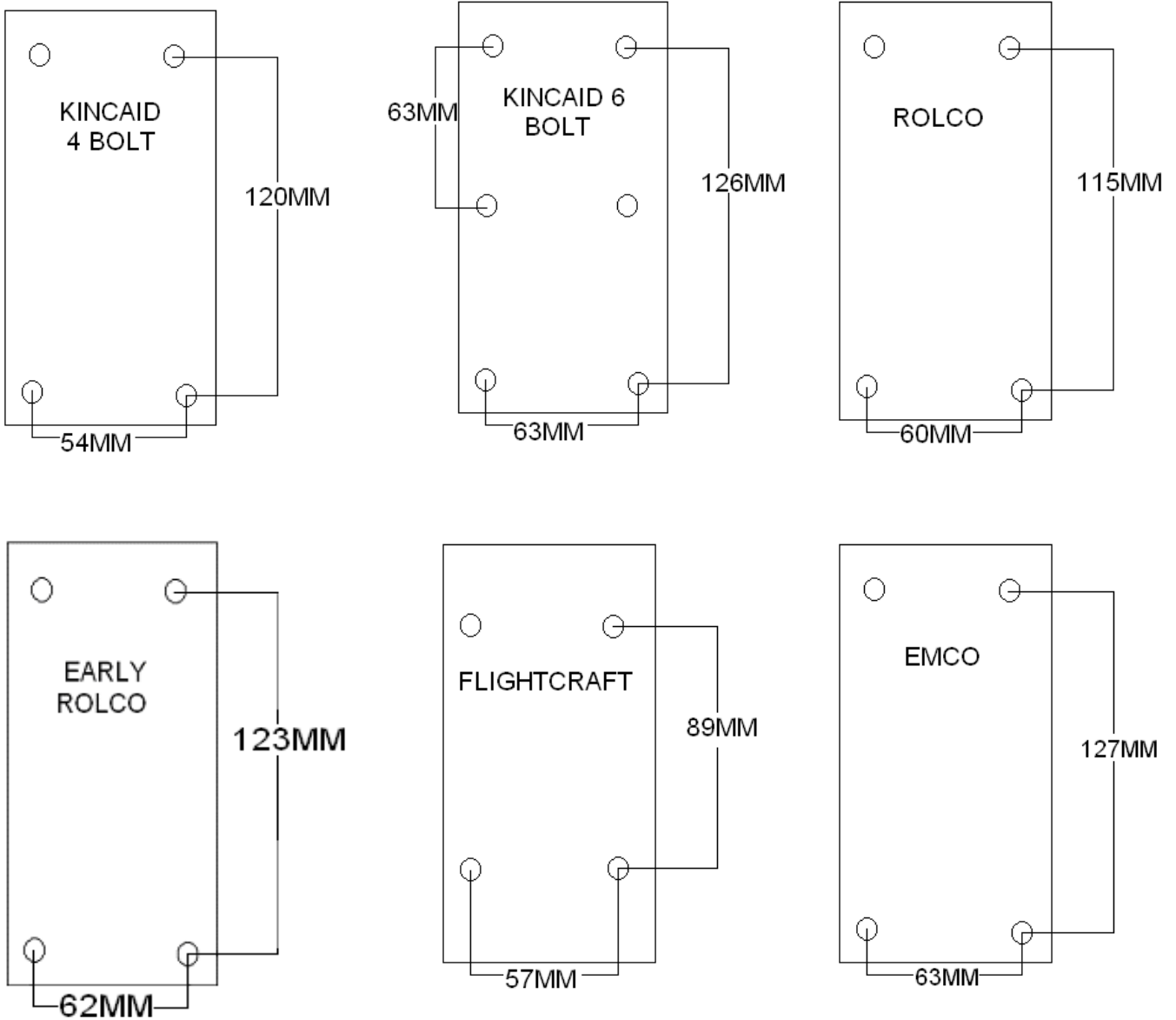
SEE THE NEXT PAGE FOR BOLT PATTERNS FOR ABOVE SKEGS

WE HAVE A FEW MORE MISCELLANEOUS SKEGS AVAILABLE, PLEASE FAX YOUR DIMENSIONS ON OUR SKEG ORDER FORM



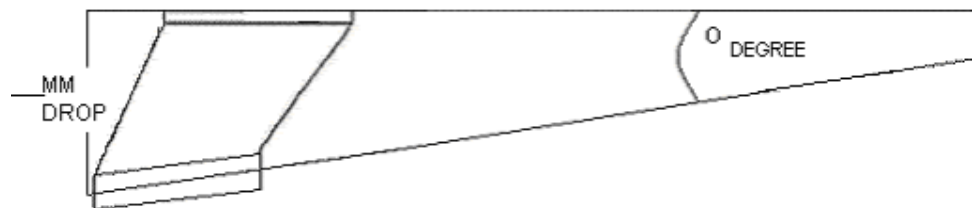
KINCAID MARINE ROLCO

Phone: (03) 9308 0922 Mobile: 0428 627 463
Email: orders@kmrolco.com Website: www.kmrolco.com



NOTE: ALL MEASUREMENTS ARE TAKEN FROM HOLE CENTRES

□ 1" or □ 7/8"
DIA SHAFT



DROP IS MEASURED AT PROP END FROM CENTRE OF PROPSHAFT TO MACHINED TOP FACE OF SKEG.



KINCAID MARINE ROLCO

Phone: (03) 9308 0922 Mobile: 0428 627 463
 Email: orders@kmrolco.com Website: www.kmrolco.com

SKEG BUSHES

| PART NUMBER | DESCRIPTION | LIST PRICE | PRICE INC GST | DISC |
|-------------|---|------------|---------------|------|
| SB 1 | SKEG BUSH 1" ID x 1 1/4" OD x 4" L | 40.00 | 44.00 | S |
| SB 2 | SKEG BUSH 1" ID x 1 1/4" OD x 16" L | 120.00 | 132.00 | S |
| SB 4 | SKEG BUSH 7/8" ID x 1 1/4" OD x 4" L | 50.00 | 55.00 | S |
| SB 7 | SKEG BUSH 7/8" ID x 1 1/8" OD x 4" L | 50.00 | 55.00 | S |
| SB 9 | SKEG BUSH 1 1/8" ID x 1 3/8" OD x 4" L | 50.00 | 55.00 | S |
| SB 9-16 | SKEG BUSH SKEG BUSH x 1 3/8" OD x 16" L | 150.00 | 165.00 | S |
| SB 10 | SKEG BUSH 1" ID x 1 1/4" OD x 4" L SILVERLINE BEARING | 120.00 | 132.00 | S |
| SB 11 | SKEG BUSH 1 1/8" ID x 1 3/8" OD x 5" L SILVERLINE BEARING suits MOST IMPORTED USA BOATS e.g. MALIBU, TIGE, MASTERCRAFT, NAUTIQUE, CENTURION | 150.00 | 165.00 | S |
| SB 12 | SKEG BUSH 1 1/8" ID x 1 1/2" OD x 5" L SILVERLINE BEARING suits MOST IMPORTED USA BOATS e.g. MALIBU, TIGE, MASTERCRAFT, NAUTIQUE, CENTURION | 150.00 | 165.00 | S |

FINS

| PART NUMBER | DESCRIPTION | LIST PRICE | PRICE INC GST |
|-------------|---|------------|---------------|
| F 1 | FIN, SMALL, 4 BOLT BRONZE | 295.00 | 324.50 |
| F 3 | FIN, LARGE, 6 BOLT BRONZE | 350.00 | 385.00 |
| F 2E | FIN, MEDIUM, EZY FIT, 2 STUDS ALUMINIUM | 95.00 | 104.50 |
| F 3E | FIN, LARGE, EZY FIT, 2 STUDS ALUMINIUM | 120.00 | 132.00 |



KINCAID MARINE ROLCO

Phone: (03) 9308 0922 Mobile: 0428 627 463
 Email: orders@kmrolco.com Website: www.kmrolco.com

PROPELLERS

| PART NUMBER | DESCRIPTION | LIST PRICE | PRICE INC GST | DISC |
|-------------|--------------------------------------|------------|---------------|------|
| AP 3B | AUSTRAL 3 BLADE (UP TO 12" DIAMETER) | POA | POA | S |
| AP 4B | AUSTRAL 4 BLADE (UP TO 12" DIAMETER) | POA | POA | S |
| AP 4B-13 | AUSTRAL 4 BLADE (UP TO 13" DIAMETER) | POA | POA | S |
| | MORITZ & CASSELL | POA | POA | S |
| OJ | OJ PROPELLER | POA | POA | S |
| ACME | ACME CNC PROPELLER | POA | POA | S |

PROPELLER SHAFTS

| PART NUMBER | DESCRIPTION | LIST PRICE | PRICE INC GST |
|-------------|---|------------|---------------|
| | CAN CUT PROP SHAFTS TO ANY LENGTH | | |
| PS 48 | PROPELLER SHAFT 48" x 1" | 195.00 | 214.50 |
| PS 54 | PROPELLER SHAFT 54" x 1" | 215.00 | 236.50 |
| PS 60 | PROPELLER SHAFT 60" x 1" | 235.00 | 258.50 |
| PS 66 | PROPELLER SHAFT 66" x 1" | 255.00 | 280.50 |
| PS 72 | PROPELLER SHAFT 72" x 1" | 275.00 | 302.50 |
| PS 78 | PROPELLER SHAFT 78" x 1" | 295.00 | 324.50 |
| PS 84 | PROPELLER SHAFT 84" x 1" | 325.00 | 357.50 |
| PS 96 | PROPELLER SHAFT 96" x 1" | 350.00 | 385.00 |
| PS 630 | 630 GRADE STAINLESS STEEL SHAFT 1" DIA | POA | POA |
| PS A22 | AQUAMETT 22 STEEL SHAFT x 1" | POA | POA |
| PS MON | MONEL K 500 1" PROPELLER SHAFT | POA | POA |
| PS 1 1/8" | 1 1/8" PROPELLER SHAFTS | 350.00 | 385.00 |
| PS 48 7/8" | PROPELLER SHAFT 48" x 7/8" | 250.00 | 275.00 |
| PS 60 7/8" | PROPELLER SHAFT 60" x 7/8" | 300.00 | 330.00 |
| KEY PS | KEY & NOTCH SHAFT (THIS INCLUDES CUTTING TO ANY LENGTH) | 75.00 | 82.50 |

SAFETY COLLARS (CHROME)

| PART NUMBER | DESCRIPTION | LIST PRICE | PRICE INC GST |
|-------------|------------------------------------|------------|---------------|
| SC 1 S | SAFETY COLLAR, SPLIT 1" CHROME | 39.00 | 42.90 |
| SC 1 1/8 S | SAFETY COLLAR, SPLIT 1 1/8" CHROME | 45.00 | 49.50 |
| SC 7/8 S | SAFETY COLLAR, SPILT 7/8" CHROME | 45.00 | 49.50 |

PROP NUTS & KEYS

| PART NUMBER | DESCRIPTION | LIST PRICE | PRICE INC GST |
|-------------|--|------------|---------------|
| NN 3/4B | NYLOC NUT 3/4" UNC BRASS suit 1" SHAFT | 15.00 | 16.50 |
| NN 5/8B | NYLOC NUT 5/8" UNC BRASS suit 7/8" SHAFT | 15.00 | 16.50 |
| BK 1/4 | KEY BRASS 1/4" x 2" | 6.00 | 6.60 |
| SK 1/4 | KEY STEEL 1/4" x 2" | 4.00 | 4.40 |

PROPELLER PULLER

| PART NUMBER | DESCRIPTION | LIST PRICE | PRICE INC GST |
|-------------|--|------------|---------------|
| PP 140 | PROPELLER PULLER - SUPERSTON suit 2, 3 & 4 BLADE PROPS | 160.00 | 176.00 |



KINCAID MARINE ROLCO

Phone: (03) 9308 0922 Mobile: 0428 627 463
 Email: orders@kmrolco.com Website: www.kmrolco.com

LOG & GLAND EQUIPMENT

LOG GLANDS

| PART NUMBER | DESCRIPTION | LIST PRICE | PRICE INC GST |
|---------------|---|------------|---------------|
| LG 1 | LOG GLAND 1" | 75.00 | 82.50 |
| LG 2 | LOG GLAND 7/8" | 95.00 | 104.50 |
| LG 3 | LOG GLAND 1 1/8" x 1 3/4" OD | 95.00 | 104.50 |
| LG 4 | LOG GLAND 1 1/8" x 2" OD, suit SKI CRAFT | 95.00 | 104.50 |
| LG 5 | LOG GLAND 1 1/8" x 1 3/4" OD, suit MOST USA BOATS with ADJUSTABLE GLAND PACKING | 195.00 | 214.50 |
| LG 1-RACE | LOG GLAND WATERCOOLED, RACE, 1" | 250.00 | 275.00 |
| LG 1 1/8-RACE | LOG GLAND WATERCOOLED, RACE, 1 1/8" | 250.00 | 275.00 |

LOG BASES

| PART NUMBER | DESCRIPTION | LIST PRICE | PRICE INC GST |
|-------------|---|------------|---------------|
| LB 9 | LOG BASE 9° (ROLCO) BASE IS 385mm LONG AL | 90.00 | 99.00 |
| LB 9-K | LOG BASE 9° (KINCAID) BASE IS 420mm LONG AL | 90.00 | 99.00 |
| LBS 9-K | LOG BASE 9° WITH STEADY AL | 150.00 | 165.00 |
| LB 12 | LOG BASE 12° AL | 90.00 | 99.00 |
| LB 14 | LOG BASE 14° AL | 45.00 | 49.50 |
| LB 15 | LOG BASE 15° AL | 45.00 | 49.50 |
| LB 15-K | LOG BASE 15° AL | 75.00 | 82.50 |
| LB 17 | LOG BASE 17° AL | 45.00 | 49.50 |
| LB 18-K | LOG BASE 18° AL | 75.00 | 82.50 |
| LB 19 | LOG BASE 19° AL | 45.00 | 49.50 |
| LMF-1 | LOG MOUNTING FLANGE BRASS | 75.00 | 82.50 |

LOG SPARE PARTS

| PART NUMBER | DESCRIPTION | LIST PRICE | PRICE INC GST |
|-------------|--|------------|---------------|
| L 27 | SEAL 7/8" ID x 1 3/8" OD x 1/4" suit 7/8" LOG GLANDS | 7.00 | 7.70 |
| L 40-K | SEAL 1" ID x 1 3/8" OD x 1/4" suit KINCAID & ROLCO | 7.00 | 7.70 |
| L 41-T | SEAL 1" ID x 1 1/2" OD x 1/4" suit EMCO & TAWCO | 7.00 | 7.70 |
| L 42-K | HOSE suit LOG GLAND | 12.00 | 13.20 |
| L 43-K | HOSE CLAMP suit LOG GLAND SS | 5.00 | 5.50 |
| L 45-K | REMOTE GREASING KIT suit LOG GLAND | 65.00 | 71.50 |



KINCAID MARINE ROLCO

Phone: (03) 9308 0922 Mobile: 0428 627 463
 Email: orders@kmrolco.com Website: www.kmrolco.com

RUDDERS

| PART NUMBER | DESCRIPTION | LIST PRICE | PRICE INC GST |
|-------------|--|------------|---------------|
| R 1 | RUDDER LARGE 1" SHAFT | 475.00 | 522.50 |
| R 1A | RUDDER LARGE 7/8" SHAFT | 495.00 | 544.50 |
| R 2 | RUDDER MEDIUM 1" SHAFT | 450.00 | 495.00 |
| R 2A | RUDDER MEDIUM 7/8" SHAFT | 475.00 | 522.50 |
| R 6 | RUDDER MEDIUM 1" SHAFT | 475.00 | 522.50 |
| R 6A | RUDDER MEDIUM 7/8" SHAFT | 495.00 | 544.50 |
| R 7 | RUDDER EX LARGE 1" SHAFT TOURNAMENT | 550.00 | 605.00 |
| R 10-S | RUDDER, RACE – 1 PIECE SUPERSTON suit STEPHENS AVAILABLE IN 1" & 1 1/8" SHAFT SIZES | 1,500.00 | 1,650.00 |
| R 10-W | RUDDER, RACE – 1 PIECE SUPERSTON, LAYBACK DESIGN suit WOODEN BOATS AVAILABLE IN 1" & 1 1/8" SHAFT SIZES | 1,500.00 | 1,650.00 |
| SLOT R | SLOT RUDDER FOR TILLER ARM | 50.00 | 55.00 |
| KEY R | MACHINE KEY WAY IN RUDDER | 100.00 | 110.00 |

RUDDERS SAFETY COLLARS n nb

| PART NUMBER | DESCRIPTION | LIST PRICE | PRICE INC GST |
|-------------|----------------------------|------------|---------------|
| RC 1 | COLLAR, RUDDER CHROME 1" | 30.00 | 33.00 |
| RC 2 | COLLAR, RUDDER CHROME 7/8" | 30.00 | 33.00 |

RUDDER BEARINGS

| PART NUMBER | DESCRIPTION | LIST PRICE | PRICE INC GST |
|-------------|---------------------------------------|------------|---------------|
| RB 4-1 | BEARING - SELF ALIGNING RUDDER 1" | 125.00 | 137.50 |
| RB 4-7/8 | BEARING - SELF ALIGNING RUDDER 7/8" | 125.00 | 137.50 |
| RB 4-1 1/8 | BEARING - SELF ALIGNING RUDDER 1 1/8" | 125.00 | 137.50 |

RUDDER GLANDS

| PART NUMBER | DESCRIPTION | LIST PRICE | PRICE INC GST |
|-------------|---|------------|---------------|
| RB 5 | RUDDER GLAND, EXTERNAL, ROUND 1" | 195.00 | 214.50 |
| RB 6 | RUDDER GLAND EXTERNAL, SQUARE suit USA BOATS | 350.00 | 385.00 |
| RB 7-1 | RUDDER GLAND, INTERNAL, SQUARE suit RACE BOATS 1" | 195.00 | 214.50 |
| RB 7-1 1/8 | RUDDER GLAND, INTERNAL, SQUARE suit RACE BOATS 1 1/8" | 195.00 | 214.50 |

RUDDER BUSHES

| PART NUMBER | DESCRIPTION | LIST PRICE | PRICE INC GST |
|-------------|---|------------|---------------|
| DB 1 | RUDDER BUSH 7/8" ID x 1 1/8" OD | 10.00 | 11.00 |
| DB 2 | RUDDER BUSH 1" ID x 1 1/8" OD | 10.00 | 11.00 |
| DB 3 | RUDDER BUSH 7/8" ID x 1" OD | 10.00 | 11.00 |
| DB 4 | RUDDER BUSH 1" SELF ALIGNING suit RB 4-1 | 15.00 | 16.50 |
| DB 5 | RUDDER BUSH 1" ID x 1 1/4" OD | 10.00 | 11.00 |
| DB 6 | RUDDER BUSH 7/8" SELF ALIGNING suit RB 4-7/8" | 15.00 | 16.50 |
| DB 7 | RUDDER BUSH 1 1/8" SELF ALIGNING suit RB 4-1 1/8" | 15.00 | 16.50 |



KINCAID MARINE ROLCO

Phone: (03) 9308 0922 Mobile: 0428 627 463
 Email: orders@kmrolco.com Website: www.kmrolco.com

TILLER BOXES

| PART NUMBER | DESCRIPTION | LIST PRICE | PRICE INC GST |
|-------------|--|------------|---------------|
| TB 12S | TILLER BOX, SMALL - 12° suit HALLET | 350.00 | 275.00 |
| TB 90L | TILLER BOX, LARGE - 90° suit GILFLITE, STEPHENS, SKILINE | 350.00 | 275.00 |
| TB 90S | TILLER BOX, SMALL - 90° | 350.00 | 275.00 |

QUADRANT & "A" BRACKET

| PART NUMBER | DESCRIPTION | LIST PRICE | PRICE INC GST |
|-------------|------------------------------------|------------|---------------|
| RQ 1 | QUADRANT 1", 7/8" or 1 1/8" CHROME | 350.00 | 385.00 |
| RA 1 | A BRACKET 1" or 7/8" CHROME | 350.00 | 385.00 |

TILLER ARMS

| PART NUMBER | DESCRIPTION | LIST PRICE | PRICE INC GST |
|-------------|---------------------------------------|------------|---------------|
| R 7TS | TILLER ARM 1" or 7/8" x 5" REAR BOLT | 120.00 | 132.00 |
| R 9TL | TILLER ARM 1" or 7/8" x 6" REAR BOLT | 120.00 | 132.00 |
| R 8TL | TILLER ARM 1" or 7/8" x 7" FRONT BOLT | 120.00 | 132.00 |
| R 9TEL | TILLER ARM 1" or 7/8" x 8" REAR BOLT | 120.00 | 132.00 |
| R 9T-11/8 | TILLER ARM 1 1/8" REAR BOLT | 150.00 | 165.00 |

CAVITATION PLATES & SPARE PARTS

| PART NUMBER | DESCRIPTION | LIST PRICE | PRICE INC GST |
|-------------|--|------------|---------------|
| CP 8 | CAV PLATE, 10mm FLAT (HALLETT, SLEEKLINE, SKILINE) | 350.00 | 165.00 |
| CA 55 | ADJUSTORS, CAV PLATE, SWIVEL ENDS 5 1/2" SHAFT CP | 495.00 | 544.50 |
| CA 85 | ADJUSTORS, CAV PLATE, SWIVEL ENDS 8 1/2" SHAFT CP | 495.00 | 544.50 |
| CAS 1 | NUT - CAV ADJUSTOR, R/H or L/H 1/2" UNF | 15.00 | 16.50 |
| CAS 2 | PIVOT BLOCK - CAV ADJUSTOR | 45.00 | 49.50 |
| CAS 3 | BASE - CAV ADJUSTOR | 75.00 | 82.50 |
| CAS 4 | PIVOT PIN - CAV ADJUSTOR | 15.00 | 16.50 |
| CAS 5 | CIRCLIP - CAV ADJUSTOR PIVOT PIN | 5.00 | 5.50 |
| CAS 6 | SHAFT - CAV ADJUSTOR 1/2" UNF | 75.00 | 82.50 |
| | T-BAR ONLY - CAV SPRING KIT | | |
| | FOOT PADAL ONLY - CAV SF-90 OR ANGLED | | |



KINCAID MARINE ROLCO

Phone: (03) 9308 0922 Mobile: 0428 627 463
 Email: orders@kmrolco.com Website: www.kmrolco.com

STEERING

| PART NUMBER | DESCRIPTION | LIST PRICE | PRICE INC GST |
|-------------|--|------------|---------------|
| STEER | MORSE / TELEFLEX STEERING KITS & PARTS | P.O.A. | P.O.A. |

HIGH PERFORMANCE STEERING

| PART NUMBER | DESCRIPTION | LIST PRICE | PRICE INC GST | DISC |
|-------------|--|------------|---------------|------|
| STEER-HP | HIGH PERFORMANCE STEERING, CHAIN AND SPROCKET, OUTSIDE BEARER, COMPLETE INSTALLATION LESS STEERING WHEEL | 1,500.00 | 1,094.50 | S |

STEERING WHEELS

| PART NUMBER | DESCRIPTION | LIST PRICE | PRICE INC GST | DISC |
|-------------|--|------------|---------------|------|
| SWC | COVICO, DEEP or SHALLOW – BLACK, BLUE or RED 3 BOLT RACE | 300.00 | 330.00 | S |
| SWM | MORSE (different styles available) | P.O.A. | P.O.A. | S |
| SWA | STEERING WHEEL LEATHER WRAP, 6 BOLT | 300.00 | 330.00 | S |
| SW BOSS | BOSS KIT, 6 BOLT | 90.00 | 99.00 | S |

STEERING SPARE PARTS

| PART NUMBER | DESCRIPTION | QTY | LIST PRICE | PRICE INC GST | DISC |
|-------------|------------------------------|------|------------|---------------|------|
| 290710 | NYLON BALL HALVES | EACH | 45.00 | 49.50 | S |
| CO 833 | 3/8" BALL JOINT | | 65.00 | 71.50 | S |
| SCA-5M | CABLE 5mm SS | P/M | 10.00 | 11.00 | S |
| SCA-CL | CABLE CLAMPS, SPLIT 5mm SS | | 15.00 | 16.50 | S |
| SCA-DS | D-SHAKLES SS | | 15.00 | 16.50 | S |
| SCA-TH | THIMBLES SS | | 10.00 | 11.00 | S |
| SCA-TU | TURNBUCKLE SS | | 50.00 | 55.00 | S |
| SCA-SP | SINGLE PULLEY, BLOCK (NYLON) | | 75.00 | 82.50 | S |
| SCA-DP | DOUBLE PULLEY, BLOCK (NYLON) | | 95.00 | 104.50 | S |
| SCA-HP | HOODED PULLEY, BLOCK (NYLON) | PAIR | 195.00 | 214.50 | S |
| SCA-PS | PULLEY SADDLE SS | | 10.00 | 11.00 | S |

STEERING COLUMN ASSEMBLIES

| PART NUMBER | DESCRIPTION | LIST PRICE | PRICE INC GST |
|-------------|---|------------|---------------|
| SC 35-M | STAZO-MORSE – 3" STEERING COLUMN ASSEMBLY | 350.00 | 385.00 |
| SC 3-I | 3" INBOARD STEERING COLUMN ASSEMBLY | 395.00 | 434.50 |
| SC 6-I | 6" INBOARD STEERING COLUMN ASSEMBLY | 445.00 | 489.50 |
| SC 9-I | 9" INBOARD STEERING COLUMN ASSEMBLY | 495.00 | 544.50 |
| SC 3-O | 3" OUTBOARD STEERING COLUMN ASSEMBLY | 395.00 | 434.50 |
| SC 6-O | 6" OUTBOARD STEERING COLUMN ASSEMBLY | 445.00 | 489.50 |
| SC 9-O | 9" OUTBOARD STEERING COLUMN ASSEMBLY | 495.00 | 544.50 |
| SW-AD | ADAPTOR, STEERING WHEEL, 3 BOLT, CHROME | 95.00 | 104.50 |
| SW-HB | HORN BUTTON, STEERING WHEEL, BILLET | 75.00 | 82.50 |
| SCOH | HUB ONLY, STEERING suit OUTBOARD (LARGE) | 125.00 | 137.50 |
| SCIH | HUB ONLY, STEERING suit INBOARD (SMALL) | 95.00 | 104.50 |



KINCAID MARINE ROLCO

Phone: (03) 9308 0922 Mobile: 0428 627 463
 Email: orders@kmrolco.com Website: www.kmrolco.com

PEDALS, CABLES & ACCESSORIES (ACCELERATOR)

| PART NUMBER | DESCRIPTION | | | LIST PRICE | PRICE INC GST | DISC |
|------------------------------------|---|--|--------------------------------|------------|---------------|------|
| OFFSET PEDALS (ACCELERATOR) | | | | | | |
| FP 35-9 | FOOT PEDAL | OFFSET 9" | FLOOR MOUNT | 125.00 | 137.50 | |
| FP 35-12 | FOOT PEDAL | OFFSET 12" | FLOOR MOUNT | 125.00 | 137.50 | |
| FP 35-16 | FOOT PEDAL | OFFSET 16" | FLOOR MOUNT | 125.00 | 137.50 | |
| STANDARD PEDALS | | | | | | |
| FP 5-R | FOOT PEDAL | R/H, | STANDARD NO OFFSET-FLOOR MOUNT | 125.00 | 137.50 | |
| FP 5-L | FOOT PEDAL | L/H, | STANDARD NO OFFSET-FLOOR MOUNT | 125.00 | 137.50 | |
| OUTBOARD PEDALS | | | | | | |
| FP 10 | FOOT PEDAL | FLOOR MOUNT, OUTBOARD suit MERC CABLE | | 175.00 | 192.50 | |
| FP 20 | FOOT PEDAL | FLOOR MOUNT, OUTBOARD suit OMC CABLE | | 175.00 | 192.50 | |
| FP 15/30 | FOOT PEDAL | FLOOR MOUNT, PUSH/PULL suit MORSE CABLE | | 175.00 | 192.50 | |
| COMPETITION PEDALS | | | | | | |
| FP-BMH | COMPETITION PEDAL, BEARER MOUNT-PUSH | | | 295.00 | 324.50 | |
| FP-BML | COMPETITION PEDAL, BEARER MOUNT-PULL | | | 295.00 | 324.50 | |
| FP-FMH | COMPETITION PEDAL, FLOOR MOUNT-PUSH | | | 295.00 | 324.50 | |
| FP-OBS | OBSERVER PEDALS ONLY, PAIR | | | 150.00 | 165.00 | |
| MISCELLANEOUS PEDALS | | | | | | |
| FP 40 | FOOT PEDAL BOTTOM PUSH FLOOR MOUNT suit MORSE CABLE | | | 150.00 | 165.00 | |
| PEDAL SPARE PARTS | | | | | | |
| FPS 1 | FOOT PEDAL SPRING | | | 15.00 | 16.50 | |
| CABLES AND ACCESSORIES | | | | | | |
| M33C-300 | ACCELERATOR CABLE - 3 METRE FOR EVERY EXTRA METRE ADD \$5.00 P/M | | | 50.00 | 55.00 | S |
| 31799 | BALL JOINT | 3/16" | MALE STUD | 30.00 | 33.00 | S |
| 31126 | BALL JOINT | 1/4" | MALE STUD | 30.00 | 33.00 | S |
| 31804 | CLAMP & SHIM | | | 10.00 | 11.00 | S |
| 36174 | CABLE BRACKET 90° | | | 30.00 | 33.00 | S |
| FP 16/14 | MORSE CABLE MOUNT | suit QUAD/HOLLY CARBY BOLTS TO CARBY MOUNTING BOLTS | | 30.00 | 33.00 | |
| 350-1AB | ACCELERATOR MOUNT BRACKET | suit Chev V8 BOLTS TO INTAKE MANIFOLD | | 35.00 | 38.50 | |



KINCAID MARINE ROLCO

Phone: (03) 9308 0922 Mobile: 0428 627 463
 Email: orders@kmrolco.com Website: www.kmrolco.com

FUEL

| PART NUMBER | DESCRIPTION | QTY | LIST PRICE | PRICE INC GST |
|---------------------------|---|-----|------------|---------------|
| FUEL FILLERS | | | | |
| PF 2 | PETROL FILLER 2" FLUSH SS | | 80.00 | 88.00 |
| PF 3 | PETROL FILLER CAP ONLY suit RAISED CHROME | | 50.00 | 55.00 |
| PF 5 | PETROL FILLER 2" FLUSH PLASTIC | | 35.00 | 38.50 |
| PF 6 | PETROL FILLER 2" FLIP TOP AL | | 150.00 | 165.00 |
| TF 1 | SKI TOW/PETROL FILLER 2" DIA CHROME | | 350.00 | 385.00 |
| TF 2 | SKI TOW/PETROL FILLER CAP ONLY CHROME | | 50.00 | 55.00 |
| FUEL FILLER HOSE | | | | |
| FFH 38 | FUEL FILLER HOSE 1½" x 6" LONG | | 30.00 | 33.00 |
| FFH 50 | FUEL FILLER HOSE 2" x 6" LONG | | 30.00 | 33.00 |
| FFC | HOSE CLAMPS | | 5.00 | 5.50 |
| FUEL TANK BREATHER | | | | |
| FTB 1 | BREATHER, FUEL TANK | | 35.00 | 38.50 |
| FUEL FILTERS | | | | |
| FFK 35 | FUEL FILTER KIT, WATER SEPARATING | | 120.00 | 132.00 |
| FFE 35 | FUEL FILTER ELEMENT ONLY | | 35.00 | 38.50 |
| FFM 35 | FUEL FILTER MOUNT BRACKET | | 25.00 | 27.50 |



KINCAID MARINE ROLCO

Phone: (03) 9308 0922 Mobile: 0428 627 463
 Email: orders@kmrolco.com Website: www.kmrolco.com

ELECTRICAL

| PART NUMBER | DESCRIPTION | QTY | LIST PRICE | PRICE INC GST | DISC |
|---|--|---------|------------|---------------|------|
| GAUGES, SENDER UNITS & SPEEDO PITOTS | | | | | |
| GK-1 | GAUGE KIT, ROLCO, GPS SPEEDO, TACHO with DIGITAL HOUR METER, OIL PRESSURE, TEMPERATURE, VOLTS, FUEL, COMPLETE WITH SENDERS | | 1,000.00 | 1,100.00 | S |
| FT-S | FUEL TANK SENDER, SOLID STATE, STAINLESS STEEL | | 150.00 | 165.00 | S |
| GPS-D | GPS SPEEDO, DIGITAL | | 350.00 | 385.00 | S |
| GPS-A | GPS SPEEDO, ANOLOGUE | | 350.00 | 385.00 | S |
| TACHO | TACHO, with DIGITAL HOUR METER | | 350.00 | 385.00 | S |
| OIL | OIL PRESSURE | | 75.00 | 82.50 | S |
| TEMP | TEMPERATURE | | 75.00 | 82.50 | S |
| VOLT | VOLTS | | 75.00 | 82.50 | S |
| FUEL | FUEL | | 75.00 | 82.50 | S |
| SEND-O | OIL PRESSURE SENDER | | 120.00 | 132.00 | S |
| SEND-T | TEMPERATURE SENDER | | 30.00 | 33.00 | S |
| SPB 5 | SPEEDO PITOT (THRU HULL) | BRASS | 28.00 | 30.80 | |
| SPP1 | SPEEDO PITOT | PLASTIC | 36.00 | 39.60 | S |
| TH 1 | TACHO HOUSING 86mm DIA POLISHED | AL | 120.00 | 132.00 | |
| TH 2 | TACHO HOUSING 80mm DIA POLISHED | AL | 120.00 | 132.00 | |
| GH 1 | GAUGE HOUSING 50mm POLISHED | AL | 75.00 | 82.50 | |
| SWITCHES | | | | | |
| IGNSW | IGNITION SWITCH | | 75.00 | 82.50 | S |
| IGNLI | IGNITION LIGHT | | 20.00 | 22.00 | S |
| BPSW1 | SWITCH ON/OFF | | 20.00 | 22.00 | S |
| KILSW | KILL SWITCH | | 75.00 | 82.50 | S |
| BAT-1S | BATTERY ISOLATOR SWITCH | | 55.00 | 60.50 | S |
| BILGE PUMPS & KITS | | | | | |
| R500BP | BILGE PUMP | | 60.00 | 66.00 | S |
| BPK1 | BILGE PUMP KIT inc SWITCH, PUMP, HOSE & SKIN FITTING | | 125.00 | 137.50 | S |
| BPHO | BILGE PUMP HOSE | P/M | 10.00 | 11.00 | S |
| LOOMS | | | | | |
| LOOM | COMPLETE WIRING LOOM | | 1,500.00 | 1,650.50 | |

BATTERY CARRIERS

| PART NUMBER | DESCRIPTION | LIST PRICE | PRICE INC GST |
|-------------|----------------------|------------|---------------|
| BC 1 | BATTERY CARRIER, 9" | 65.00 | 71.50 |
| BC 2 | BATTERY CARRIER, 12" | 65.00 | 71.50 |

CALL FOR COMPETITIVE PRICING ON COMPLETE GAUGE AND SENDER KITS



KINCAID MARINE ROLCO

Phone: (03) 9308 0922 Mobile: 0428 627 463
Email: orders@kmrolco.com Website: www.kmrolco.com

SKI-TOW EQUIPMENT

SKI-TOWS / BOLLARDS

| PART NUMBER | DESCRIPTION | LIST PRICE | PRICE INC GST | DISC |
|-------------|-------------------------------------|------------|---------------|------|
| ST 3-K | SKI TOW - BOLLARD, POLISHED 4" AL | 80.00 | 88.00 | |
| ST 4-K | SKI TOW - SS, TRANSOM MOUNT, LARGE | 75.00 | 82.50 | |
| TF 1-K | SKI TOW/PETROL FILLER 2" DIA CHROME | 350.00 | 385.00 | |
| SH 1 | SKI HOOK SS | 50.00 | 55.00 | S |

MIRRORS

| PART NUMBER | DESCRIPTION | LIST PRICE | PRICE INC GST | DISC |
|-------------|---|------------|---------------|------|
| SSM 150 | MIRROR, MEDIUM COMP 11 150mm DASH OR SCREEN MOUNT | 150.00 | 165.00 | S |
| LSM 300 | MIRROR, LARGE 300mm suits MBB and MBT BRKTS | 250.00 | 275.00 | S |
| MBB | BRACKET, MIRROR, BIMINI MOUNT | 150.00 | 165.00 | S |
| MBT | BRACKET, MIRROR, TOWER MOUNT | 150.00 | 165.00 | S |

SKI POLES & HIGH POLES

| PART NUMBER | DESCRIPTION | LIST PRICE | PRICE INC GST | DISC |
|-------------|--|------------|---------------|------|
| SP 34-K | SKI POLE, TOURNAMENT, SOLID BILLET, ALUMINIUM, POLISHED (POLE ONLY, NO BASE) | 550.00 | 605.00 | N |
| SPW1 | WAKEBOARD HIGH POLE WITH BASE, 1 PIECE POLE 2½" DIA | 900.00 | 990.00 | N |
| SPW2 | WAKEBOARD HIGH POLE ONLY, 1 PIECE POLE 2½" DIA | 500.00 | 550.00 | N |
| SPM 2-K | FLOOR MOUNT BRACKET suit 2" SS DIA REMOVABLE POLE | 50.00 | 55.00 | |
| HPBR | HIGH POLE BOARD RACKS | 700.00 | 770.00 | N |

TOWERS & BOARD RACKS

| PART NUMBER | DESCRIPTION | QTY | LIST PRICE | PRICE INC GST | DISC |
|-------------|---|------|------------|---------------|------|
| WBC-TO | TOWER, FLUIDCORE | EACH | 2000.00 | 2200.00 | N |
| WBR | WAKE BOARD RACK suit TOWER | EACH | 820.00 | 902.00 | N |
| SKR | SKI RACK suit TOWER | EACH | 850.00 | 935.00 | N |
| KNR | KNEE BOARD RACK suit TOWER | EACH | 850.00 | 935.00 | N |
| KNWBR | KNEE BOARD / WAKE BOARD COMBO RACK suit TOWER | EACH | 850.00 | 935.00 | N |

BOOM BAR / BAREFOOT BAR

| PART NUMBER | DESCRIPTION | LIST PRICE | PRICE INC GST | DISC |
|-------------|--|------------|---------------|------|
| BOOM | BOOM BAR (BARE FOOT TRAINING BAR), ALUMINIUM, 3 PIECE, HEIGHT ADJUSTABLE | 1,500.00 | 1,650.00 | N |



KINCAID MARINE ROLCO

Phone: (03) 9308 0922 Mobile: 0428 627 463
 Email: orders@kmrolco.com Website: www.kmrolco.com

HULL FITTINGS (e.g. Bow Handles, Bow Eyes etc)

| PART NUMBER | DESCRIPTION | QTY | LIST PRICE | PRICE INC GST | DISC |
|-----------------------------|--|------|------------|---------------|------|
| BOW EYES & HOOKS | | | | | |
| BE 1 | BOW EYE SS | | 30.00 | 33.00 | |
| SH 1 | SKI HOOK SS | | 50.00 | 55.00 | |
| BOW HANDLES | | | | | |
| BH 1-KS | BOW HANDLE, CHROME 2 x 1/4" STUDS | | 200.00 | 220.00 | |
| DRAIN PLUGS/BUNGS | | | | | |
| DP 2 | DRAIN PLUG ONLY – PLASTIC (BUNG) | | 5.00 | 5.50 | |
| DP 3 | DRAIN PLUG ASSEMBLY – STAINLESS STEEL (BUNG) | | 15.00 | 16.50 | |
| GUNNEL CAPS | | | | | |
| GC 1 | GUNNEL CAP, STRAIGHT OPEN ENDED CHROME | | 50.00 | 55.00 | |
| GC 2 | GUNNEL CAP, STRAIGHT CLOSED 1 END CHROME | | 50.00 | 55.00 | |
| GC 3 | GUNNEL CAP, CORNER CHROME | | 100.00 | 110.00 | |
| GC 4 | GUNNEL CAP, NOSE CHROME | | 100.00 | 110.00 | |
| GC 5 | GUNNEL CAP, SMALL suit STEPHENS SS | | 30.00 | 33.00 | |
| HINGES | | | | | |
| HIN 1 | HINGE, STRAP, CHROME suit ENGINE COVER | PAIR | 25.00 | 27.50 | S |
| SPLASH RAILS | | | | | |
| SRP 25-K | SPLASH RAILS POLISHED AL | PAIR | 250.00 | 275.00 | |
| SEAT SLIDERS | | | | | |
| SSA 280 | SEAT SLIDE ADJUSTORS 280mm SS | PAIR | 195.00 | 214.50 | |
| SPEEDO PITOTS | | | | | |
| SPB 5 | SPEEDO PITOT (THRU HULL) BRASS | | 28.00 | 30.80 | |
| SPP1 | SPEEDO PITOT PLASTIC | | 36.00 | 39.60 | S |



KINCAID MARINE ROLCO

Phone: (03) 9308 0922 Mobile: 0428 627 463
 Email: orders@kmrolco.com Website: www.kmrolco.com

ARGO CAM DRIVE WATER PUMPS & TIMING COVERS

| PART NUMBER | DESCRIPTION | LIST PRICE | PRICE INC GST | DISC |
|----------------|---|------------|---------------|------|
| MP-WPJ-Argo | ARGO CAMSHAFT DRIVE WATER PUMP, HIGH FLOW 3/4" NTP FITTINGS | 580.00 | 638.00 | S |
| ARGO-WP-HF | ARGO CAMSHAFT DRIVE WATER PUMP, HIGH FLOW 1" NTP FITTINGS | 680.00 | 748.00 | S |
| MP-WPA-Argo | ARGO CAMSHAFT WATER PUMP, 3/4" NTP FITTINGS WITH ADAPTOR FOR FUEL PUMP (FUEL PUMP NOT INCLUDED) | 800.00 | 880.00 | S |
| MP-WPA-HF-Argo | ARGO CAMSHAFT WATER PUMP, HIGH FLOW 1" NTP FITTINGS, WITH ADAPTOR FOR FUEL PUMP (FUEL PUMP NOT INCLUDED) | 850.00 | 935.00 | S |
| MP-TC-SBB | CHEV SMALL BLOCK TIMING COVER (BILLET) POLISHED | 610.00 | 671.00 | S |
| MP-TC-SBC | CHEV SMALL BLOCK TIMING COVER (CAST) | 250.00 | 275.00 | S |
| MP-TC-351CL | FORD CLEVELAND TIMING COVER | 500.00 | 550.00 | S |
| MP-TC-BB | CHEV BIG BLOCK TIMING COVER (BILLET) POLISHED | 650.00 | 715.00 | S |
| MP-TC-BB-C4 | CHEV BIG BLOCK TIMING COVER (CAST) | 290.00 | 319.00 | S |
| MP-TC-BB-C6 | CHEV BIG BLOCK TIMING COVER (CAST – GEN 3) | 290.00 | 319.00 | S |
| MP-BELL | CHEV BELL HOUSING (NOT POLISHED) | 290.00 | 319.00 | S |

ARGO WATER PUMPS (SPARE PARTS)

| PART NUMBER | DESCRIPTION | LIST PRICE | PRICE INC GST | DISC |
|-----------------|---|------------|---------------|------|
| 4598-0001 | WATER PUMP IMPELLER | 109.09 | 120.00 | S |
| MP-WPCD-Argo | CAMSHAFT DRIVE FOR WATER PUMP | 60.00 | 66.00 | S |
| MP-WPCC | CIRCLIP FOR WATERPUMP | 1.40 | 1.54 | S |
| MP-WPD | WATER PUMP DRIVE | 31.00 | 34.10 | S |
| MP-WPK | WATER PUMP KEY | 4.00 | 4.40 | S |
| MP-WPP | WATER PUMP PINS | 3.00 | 3.30 | S |
| MP-WP-SIH | INJECTION WATER PUMP SHAFT (HEX DRIVE) | 220.00 | 242.00 | S |
| MP-WP-SI | INJECTION WATER PUMP SHAFT (TANG DRIVE) | 180.00 | 198.00 | S |
| MP-WP-SCP | WATER PUMP SHAFT – COMPLETE | 100.00 | 110.00 | S |
| MP-WP-X100-Argo | CAMDRIE WATER PUMP EXTENSION 100mm | 173.00 | 190.30 | S |
| MP-WP-Kit-Argo | WATER PUMP REBUILD KIT | 190.00 | 209.00 | S |



KINCAID MARINE ROLCO

Phone: (03) 9308 0922 Mobile: 0428 627 463
 Email: orders@kmrolco.com Website: www.kmrolco.com

V-DRIVE GEAR BOX WITH COUPLINGS – NO MOUNTS

| PART NUMBER | DESCRIPTION | LIST PRICE | PRICE INC GST | DISC |
|-------------|--|------------|---------------|------|
| MP-V600 | V600 CONTINUOUS DRIVE | 1880.00 | 2068.00 | S |
| MP-V600C | V600C WITH WARM-UP CLUTCH | 2320.00 | 2552.00 | S |
| MP-V600CP | V600CP WITH PROPELLER RELEASE | 2370.00 | 2607.00 | S |
| MP-V600CPR | V600CPR WITH RATCHET PROPELLER RELEASE | 2620.00 | 2882.00 | s |
| MP-V1000 | V1000 CONTINUOUS DRIVE, SPLINED, NO KEYS | P.O.A. | P.O.A. | S |
| MP-V1000C | V1000C WITH WARM UP CLUTCH, SPLINED, NO KEYS | P.O.A. | P.O.A. | S |
| MP-V1000CP | V1000CP WITH PROPELLER RELEASE, SPLINED, NO KEYS | P.O.A. | P.O.A. | S |
| MP-V-HDB | HEAVY DUTY BEARING, RECOMMENDED FOR RACE BOATS (ADD TO ABOVE PRICES) | 160.00 | 176.00 | S |
| MP-V-HDB-D | DOUBLE HEAVY DUTY BEARING, RECOMMENDED FOR HIGH POWERED RACE BOATS (ADD TO ABOVE PRICES) | 450.00 | 495.00 | S |
| MP-V-MP | MOUNTING PLATE | 110.00 | 121.00 | S |
| MP-V-ANG | PAIR OF ANGLES suit MOUNTING PLATE | 30.00 | 33.00 | S |

GEARBOX ACCESSORIES

| PART NUMBER | DESCRIPTION | LIST PRICE | PRICE INC GST | DISC |
|---------------|--|------------|---------------|------|
| MP-V1300C | FLANGE COUPLING 1310 | 120.00 | 132.00 | S |
| MP-V1400C | FLANGE COUPLING 1410 | 120.00 | 132.00 | S |
| MPV-SPC-1½X1½ | SPLIT COUPLING 1½" x 1½" | 140.00 | 154.00 | S |
| MPV-SPC-1x1 | SPLIT COUPLING 1" x 1" | 140.00 | 154.00 | S |
| MPV-SPC-1X1½ | SPLIT COUPLING 1" x 1½" | 140.00 | 154.00 | S |
| MPV-SPC-1¼X1¼ | SPLIT COUPLING 1¼" x 1¼" | 270.00 | 297.00 | S |
| MPV-SPC-spec | SPLIT COUPLING – SPECIAL ORDER | 330.00 | 363.00 | S |
| MP-VDG-___ | V-DRIVE / Z-DRIVE GEARS 0% - 26% (NOT 21%) | 472.00 | 520.00 | S |
| MP-VDG-___ | V-DRIVE / Z-DRIVE GEARS 29% - 70% | 520.00 | 572.00 | S |
| MP-VDG-21 | V-DRIVE / Z-DRIVE GEARS 21% | 520.00 | 572.00 | S |
| MP-V-TD | TACHO DRIVE, 'T' PIECE & SPRING | 157.00 | 173.00 | S |
| MP-V-MTD | MECHANICAL TACHO CABLE | 140.00 | 154.00 | S |
| MP-V-STP | SPARE "T" PIECE & SPRING | 40.00 | 44.00 | S |
| MP-V-GC | GEAR CHANGE, LABOUR ONLY (+ PARTS) | 400.00 | 440.00 | N |
| MP-V-CON-WU | CONVERT V600-V600C FIT WARM UP CLUTCH | 1320.00 | 1452.00 | S |
| MP-V-CON-PR-A | CONVERT V600C-V600CP FIT PROPELLER RELEASE | 560.00 | 616.00 | S |
| MP-V-CON-PR-B | CONVERT V600-V600CP FIT PROPELLER RELEASE | 1420.00 | 1562.00 | S |
| MP-V-CON-PR-C | CONVERT V600-V600CPR FIT RATCHET RELEASE | 1790.00 | 1969.00 | S |
| MP-V-CON-PR-D | CONVERT V600CP-V600CPR FOT RATCHET RELEASE | 920.00 | 1012.00 | S |
| ARGO-JG | JACK SHAFT GUARD ASSY (FULLY ENCLOSED) SS | 700.00 | 770.00 | S |
| ARGO-GA | V-DRIVE ADAPTOR suit JACK SHAFT GUARD | 60.00 | 66.00 | S |
| ARGO-BA | BELL HOUSING ADAPTOR suit JACK SHAFT GUARD | 95.00 | 104.50 | S |

STEP UP RATIOS

| | | | | | | | | | | | | | | | | | | |
|---|---|---|----|----|----|----|----|----|----|----|----|----|----|----|----|----|----|----|
| 0 | 5 | 8 | 11 | 14 | 17 | 20 | 21 | 23 | 26 | 29 | 33 | 38 | 42 | 48 | 52 | 58 | 62 | 70 |
|---|---|---|----|----|----|----|----|----|----|----|----|----|----|----|----|----|----|----|

NOTE: WHEN ORDERING V-DRIVES YOU MUST SPECIFY STEP-UP RATIO AND COUPLING SIZES e.g. 1310 or 1410 (TOP COUPLING) AND DIAMETER OF PROP SHAFT COUPLING (BOTTOM COUPLING)



KINCAID MARINE ROLCO

Phone: (03) 9308 0922 Mobile: 0428 627 463
 Email: orders@kmrolco.com Website: www.kmrolco.com

ARGO V-DRIVE PARTS LIST

| PART NUMBER | DESCRIPTION | LIST PRICE | PRICE INC GST | DISC |
|-----------------|--|------------|---------------|------|
| MP-BR-6307C3 | DEEP GROOVE BEARING FOR MAIN HOUSING | 24.00 | 26.40 | S |
| MP-BR-6207C3 | DEEP GROOVE BEARING FOR CLUTCH HOUSING | 24.00 | 26.40 | S |
| MP-V-HDB | HI-LOAD CLUTCH THRUST BEARING 29% & OVER | 160.00 | 176.00 | S |
| MP-V-HDB-D | DOUBLE HEAVY DUTY BEARING, INSTALLED | 450.00 | 495.00 | S |
| MP-Seal-TC12057 | INPUT SHAFT SEAL(& V600 OUTPUT SHAFT SEAL) | 15.00 | 16.50 | S |
| MP-Seal-6180 | OUTPUT SHAFT SEAL FOR V600C, V600CP, V600CPR | 30.00 | 33.00 | S |
| MP-V-fork | BRONZE FORK & LEVER | 88.00 | 96.80 | S |
| MP-V-FLS | FORK LEVER SEAL | 10.00 | 11.00 | S |
| MP-V-FA | COMPLETE FORK LEVER ASSEMBLY | 180.00 | 198.00 | S |
| MP-VDG-___ | GEARS 0% - 26% (NOT 21%) | 472.00 | 520.00 | S |
| MP-VDG-___ | GEARS 29% - 70% | 520.00 | 572.00 | S |
| MP-VDG-21 | V-DRIVE / Z-DRIVE GEARS 21% | 520.00 | 572.00 | S |
| MP-V-INP-GM | LARGE INPUT SPLINE GM | 280.00 | 308.00 | S |
| MP-V-INP-HH | INPUT SHAFT 32 DIA 21 SPLINE | 280.00 | 308.00 | S |
| MP-V-INP | INPUT SHAFT V600, V600C, V600CP | 130.00 | 143.00 | S |
| MP-V600-OS | V600 OUTPUT SHAFT | 140.00 | 154.00 | S |
| MP-V-FDS | FIXED DOG SHAFT V600C, V600CP | 120.00 | 132.00 | S |
| MP-V-OSS | OUTPUT SPLINE SHAFT V600C, V600CP | 170.00 | 187.00 | S |
| MP-V-DOSS | OUTPUT DOUBLE BEARING SPLINE SHAFT | 190.00 | 209.00 | S |
| MP-V600C-FD | V600C FIXED DOG | 190.00 | 209.00 | S |
| MP-V600C-SD | V600C SLIDING DOG | 165.00 | 181.50 | S |
| MP-V600CP-FD | V600CP FIXED DOG | 190.00 | 209.00 | S |
| MP-V600CP-SD | V600CP SLIDING DOG | 165.00 | 181.50 | S |
| MP-V600CPR-FD | V600CPR RATCHET FIXED DOG | 310.00 | 341.00 | S |
| MP-V600CPR-SD | V600CPR RATCHET SLIDING DOG | 280.00 | 308.00 | S |
| MP-V4307-JS | V600CP SPRING FOR SLIDING DOG | 40.00 | 44.00 | S |
| MP-V-NR | NEEDLE ROLLER (for FIXED DOG) | 25.00 | 27.50 | S |
| MP-V-SPRSEAT | V600CPR SPRING SEAT | 60.00 | 66.00 | S |
| MP-HB-P1 121612 | HARDENED BUSH (for SPLINE SHAFT) | 30.00 | 33.00 | S |
| MP-V101763-AL | BREATHER CUP | 40.00 | 44.00 | S |
| MP-V-INPSP | INPUT SEAL PLATE | 95.00 | 104.50 | S |
| MP-V-CSP | CLUTCH SEAL PLATE | 65.00 | 71.50 | S |
| MP-V-CH | CLUTCH HOUSING | 220.00 | 242.00 | S |
| MP-V-MH | MAIN HOUSING SET | 610.00 | 671.00 | S |
| MP-V-MP | MOUNTING PLATE | 110.00 | 121.00 | S |
| MP-V-ANG | PAIR OF ANGLES | 30.00 | 33.00 | S |
| MP-V-BOLT4 | BOLTS 1/2" x 4" (EACH) | 20.00 | 22.00 | S |
| MP-V-BOLT1 3/4 | BOLTS 1/2" x 3/4" (EACH) | 5.00 | 5.50 | S |
| MP-DP3 | SUMP PLUG | 10.00 | 11.00 | S |
| MP-Plug-Brass | BRASS PLUG 1/4 BSP | 5.00 | 5.50 | S |
| MP-Plug-Nylon | NYLON PLUG 1/4 BSP | 3.00 | 3.30 | S |
| MP-Barb-1/2-1/4 | BARB 1/2 HOSE TO 1/4 BSP | 5.00 | 5.50 | S |
| MP-CIRCLIP | CIRCLIP | 2.00 | 2.20 | S |

STEP UP RATIOS

| | | | | | | | | | | | | | | | | | | |
|---|---|---|----|----|----|----|----|----|----|----|----|----|----|----|----|----|----|----|
| 0 | 5 | 8 | 11 | 14 | 17 | 20 | 21 | 23 | 26 | 29 | 33 | 38 | 42 | 48 | 52 | 58 | 62 | 70 |
|---|---|---|----|----|----|----|----|----|----|----|----|----|----|----|----|----|----|----|